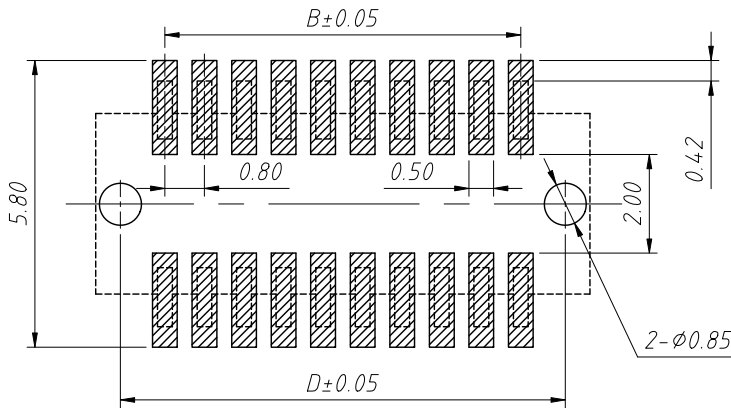
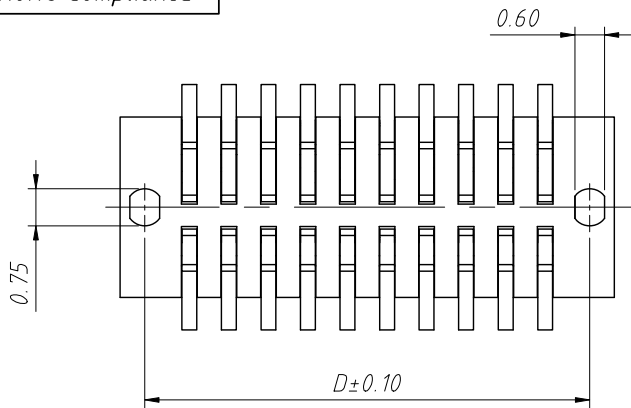
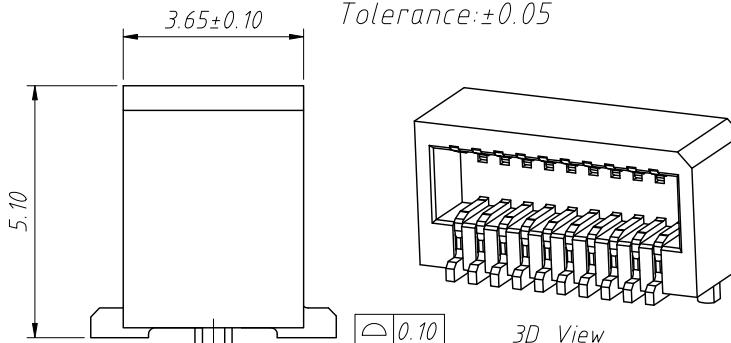
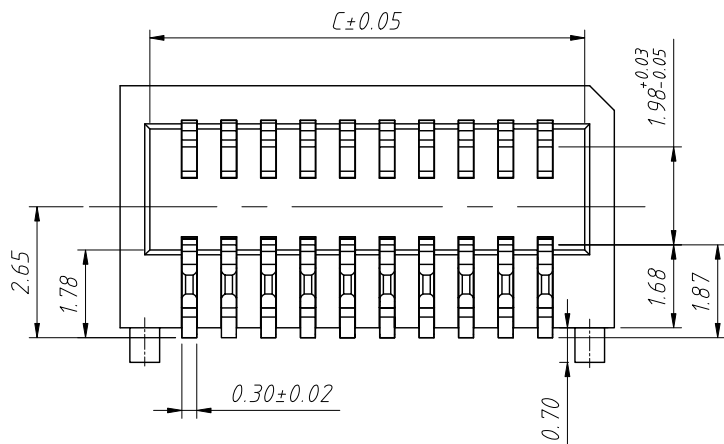


RoHS Compliance

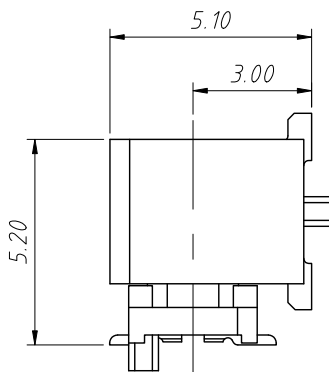
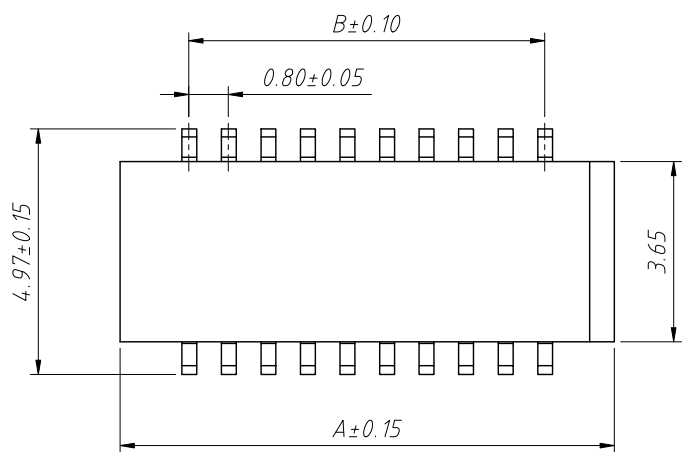


No. Of Pins	Dimensions			
	A	B	C	D
4	3.60	0.80	2.40	2.60
6	4.40	1.60	3.20	3.40
8	5.20	2.40	4.00	4.20
10	6.00	3.20	4.80	5.00
12	6.80	4.00	5.60	5.80
14	7.60	4.80	6.40	6.60
16	8.40	5.60	7.20	7.40
18	9.20	6.40	8.00	8.20
20	10.00	7.20	8.80	9.00
22	10.80	8.00	9.60	9.80
24	11.60	8.80	10.40	10.60
26	12.40	9.60	11.20	11.40
28	13.20	10.40	12.00	12.20
30	14.00	11.20	12.80	13.00
32	14.80	12.00	13.60	13.80
34	15.60	12.80	14.40	14.60
36	16.40	13.60	15.20	15.40
38	17.20	14.40	16.00	16.20
40	18.00	15.20	16.80	17.00
42	18.80	16.00	17.60	17.80
44	19.60	16.80	18.40	18.60
46	20.40	17.60	19.20	19.40
48	21.20	18.40	20.00	20.20
50	22.00	19.20	20.80	21.00
52	22.80	20.00	21.60	21.80

Recommended PCB Pattern Dim
Tolerance: ±0.05



3D View



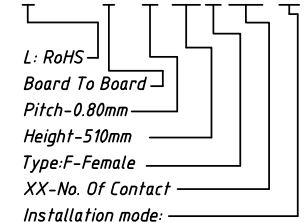
Mating Height
Scale: 1.25:1

Notes

- Hosing: PA9T, High-Temp Thermoplastic, UL 94 V-0, Color: Cream-Coloured
- Terminal: Phosphor Bronze
Plating: 1u" Cold Flash Overall
50 ~ 100u" Nickel Under Plated

Order Information:

L-KLS1-B0508-510 F XXP-TR

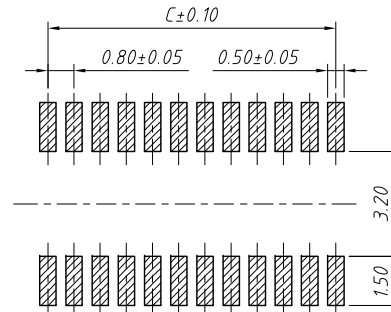
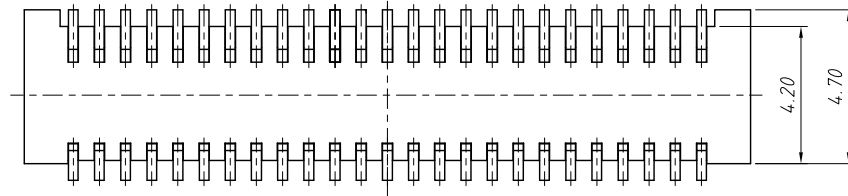
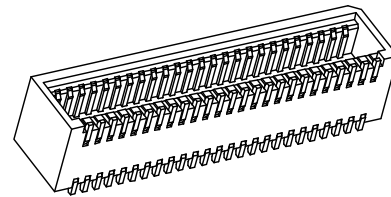
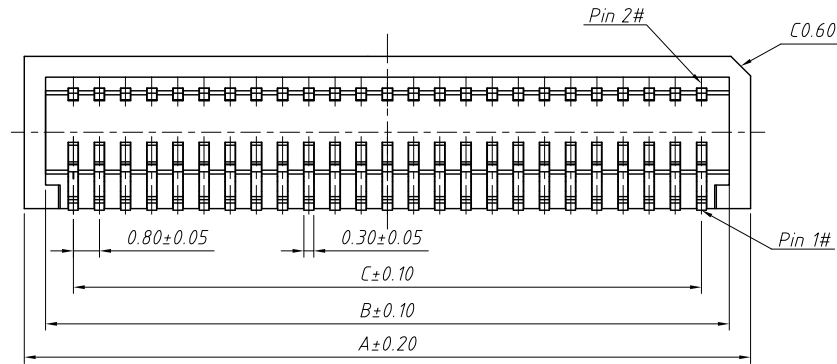
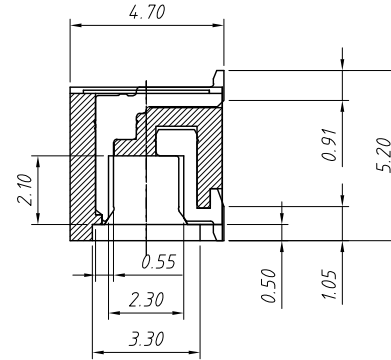
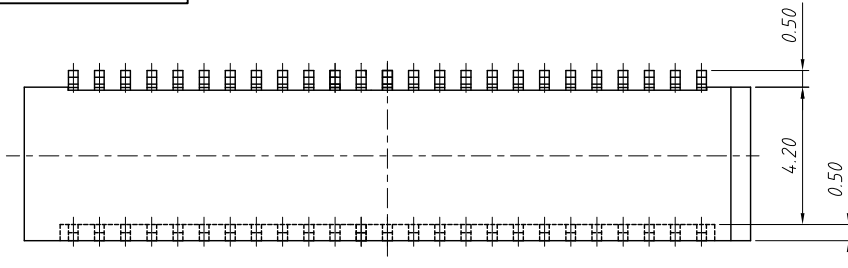


ANGLE TOLERANCE	PROJECTION	Description:
±3°		0.8mm Board To Board Socket
GENERAL TOLERANCE	UNITS	mm
x.x ±0.30	SHEET SIZE	A4
x.xx ±0.20	Draw:	Daniel 2020-11-11
x.xxx ±0.10	Check:	Daniel 2020-11-11

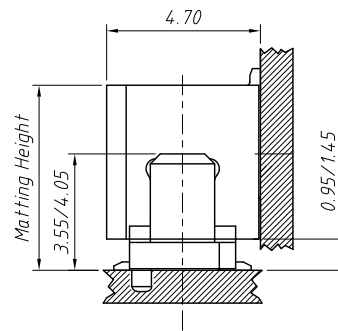
L-KLS1-B0508-510FXX-TR

NingBo KLS ELECTRONIC CO.,L TD.

RoHS Compliance



Circuit	A	B	C	Circuit	A	B	C
10	6.20	4.90	3.20	34	15.80	14.50	12.80
12	7.00	5.70	4.00	36	16.60	15.30	13.60
14	7.80	6.50	4.80	38	17.40	16.10	14.40
16	8.60	7.30	5.60	40	18.20	16.90	15.20
18	9.40	8.10	6.40	50	22.20	20.90	19.20
20	10.20	8.90	7.20	60	26.20	24.90	23.20
22	11.00	9.70	8.00	68	29.40	28.10	26.40
24	11.80	10.50	8.80	70	30.20	28.90	27.20
26	12.60	11.30	9.60	80	34.20	32.90	31.20
28	13.40	12.10	10.40	90	38.20	36.90	35.20
30	14.20	12.90	11.20	100	42.20	40.90	39.20
32	15.00	13.70	12.00				



Mating Drawing (Ref)

- Material and Plated**
- 1.Housing:High Temp Plastic,(LCP UL 94V-0)
 - 2.Contact:Phosphor Bronze
 - 3.Plated:Gold Plated
 - 4.Package:800PCS/Reel
- Specifications:**
- 1.Current Rating:1.75A AC/DC
 - 2.Voltage Rating:100V AC/DC
 - 3.Contact Resistance:40mΩ. max.
 - 4.Insulation Resistance:100MΩ. min.
 - 5.Withstanding Voltage:500V AC for one minute
 - 6.Operating Temperature Range:-40°C to + 105°C

Mating Height Dimension

P/N Plug	P/N Socket	Matting Height
B0408-355M	B0508-470F	5.65
B0408-405M		6.15

Order Information:

L-KLS1-B0508-470FXX-RMR

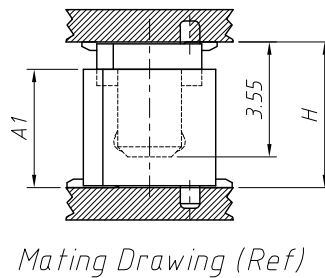
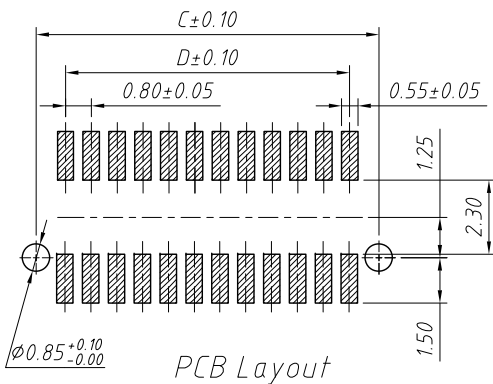
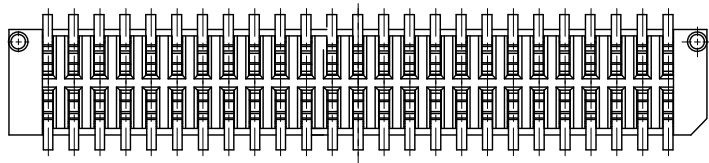
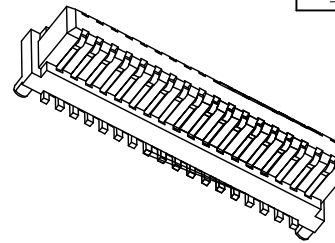
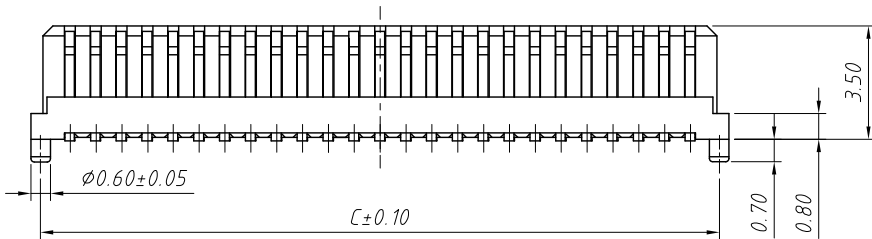
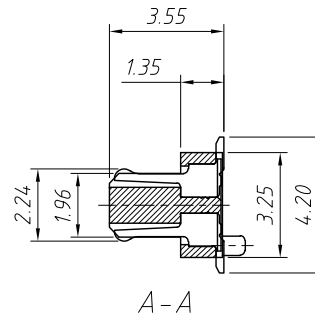
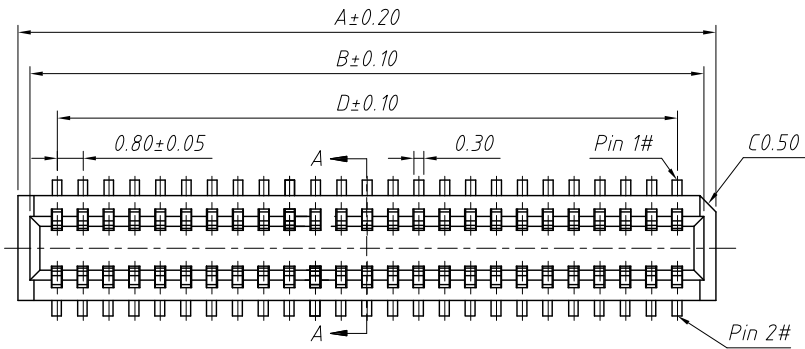
- L: RoHS
- Board To Board
- Pitch-0.80mm
- Height-4.70mm
- Type:F-Female
- XX-No. Of Contact
- Installation mode:
- RM-Horizontal SMT
- Packing:R=Reel T=Tube

ANGLE TOLERANCE	PROJECTION	Description:
±3°		Pitch 0.8mm Board to Board Connector H5.00~15.00mm
GENERAL TOLERANCE	UNITS	mm
x.x ±0.30	SHEET SIZE	A4
x.xx ±0.20	Draw:	Daniel 2020-11-11
x.xxx ±0.10	Check:	Daniel 2020-11-11



NingBo KLS ELECTRONIC CO.,L TD.

RoHS Compliance



Circuit	A	B	C	D	Circuit	A	B	C	D
10	5.60	4.85	5.00	3.20	34	15.20	14.45	14.60	12.80
12	6.40	5.65	5.80	4.00	36	16.00	15.25	15.40	13.60
14	7.20	6.45	6.60	4.80	38	16.80	16.05	16.20	14.40
16	8.00	7.25	7.40	5.60	40	17.60	16.85	17.00	15.20
18	8.80	8.05	8.20	6.40	50	21.60	20.85	21.00	19.20
20	9.60	8.85	9.00	7.20	60	25.60	24.85	25.00	23.20
22	10.40	9.65	9.80	8.00	68	28.80	28.05	28.20	26.40
24	11.20	10.45	10.60	8.80	70	29.60	28.85	29.00	27.20
26	12.00	11.25	11.40	9.60	80	33.60	32.85	33.00	31.20
28	12.80	12.05	12.20	10.40	90	37.60	36.85	37.00	35.20
30	13.60	12.85	13.00	11.20	100	41.60	40.85	41.00	39.20
32	14.40	13.65	13.80	12.00					

Mating Height Dimension

P/N Plug	P/N Socket	Mating Height
B0408-355M	B0408-365F	4.50
	B0408-415F	5.00
	B0408-515F	6.00
	B0408-565F	6.50
	B0508-470F	5.65

Material and Plated

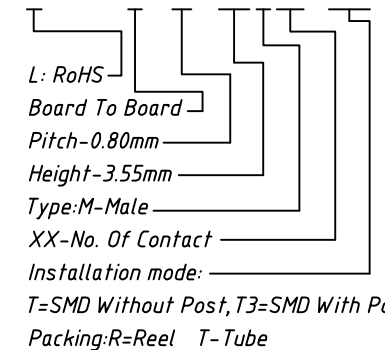
- Housing: High Temp Plastic, (Nylon 9T UL 94 V-0) White
- Contact: Phosphor Bronze
- Plated: Gold Plated

Specifications:

- Current Rating: 0.5A AC/DC
- Voltage Rating: 100V AC/DC
- Contact Resistance: 40mΩ max.
- Insulation Resistance: 100MΩ min.
- Withstanding Voltage: 500V AC for one minute
- Operating Temperature Range: -40°C to +105°C

Order Information:

L-KLS1-B0408-355MXX-T3R

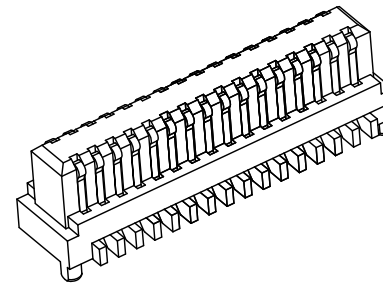
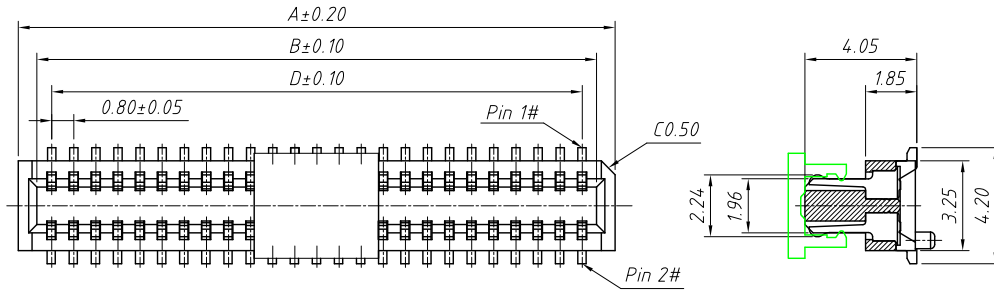


ANGLE TOLERANCE	PROJECTION	Description:
±3°		0.8mm Board To Board Connector Socket 3.55mm Height
GENERAL TOLERANCE	UNITS	mm
x.x ±0.30	SHEET SIZE	A4
x.xx ±0.20	Draw:	Daniel 2020-11-11
x.xxx ±0.10	Check:	Daniel 2020-11-11



NingBo KLS ELECTRONIC CO.,L TD.

RoHS Compliance

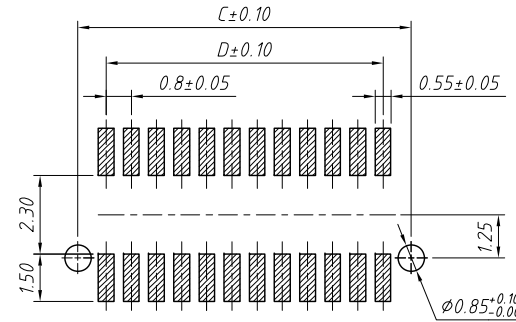
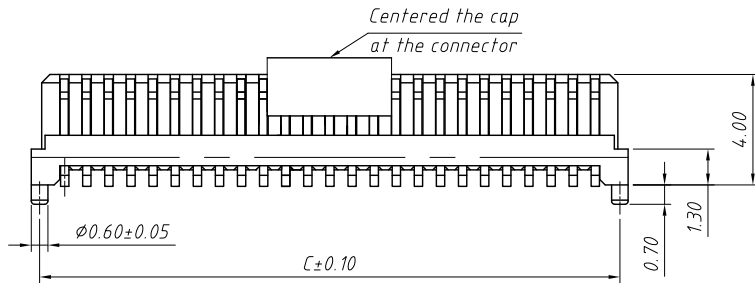


- Material and Plated**
- 1.Housing:High Temp Plastic,(LCP UL94V-0)
 - 2.Contact:Phosphor Bronze
 - 3.Plated:Gold Plated
 - 4.Package:800PCS/Reel

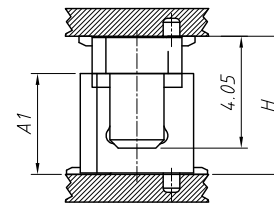
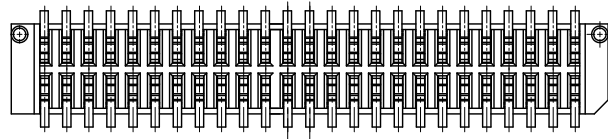
- Specifications:**
- 1.Current Rating:0.5A AC/DC
 - 2.Voltage Rating:100V AC/DC
 - 3.Contact Resistance:40mΩ, max.
 - 4.Insulation Resistance:100MΩ, min.
 - 5.Withstanding Voltage:500V AC for one minute
 - 6.Operating Temperature Range:-40°C to + 105°C

Mating Height Dimension

P/N Plug	P/N Socket	Mating Height
B0408-405M	B0408-415F	5.50
	B0408-565F	7.50
	B0508-470F	6.15



Recommended PCB Layout



Mating Drawing (Ref)

Mating Height Dimension

P/N(Plug)	P/N(Socket)	Plug Height Dim A1	Mating Height Dim H
BTB-0.8-XXG-415	BTB-0.8-XXG-405	4.15	5.50
BTB-0.8-XXG-565	BTB-0.8-XXG-405	5.65	7.00
BTB-0.8-XXG-470	BTB-0.8-XXG-405	4.70	6.15

Order Information:

L-KLS1-B0408-405MXX-T3R

- L: RoHS
- Board To Board
- Pitch-0.80mm
- Height-4.05mm
- Type:M-Male
- XX-No. Of Contact
- Installation mode:
- T=SMD Without Post, T3=SMD With Post
- Packing:R=Reel T=Tube

Circuit	A	B	C	D	Circuit	A	B	C	D
10	5.60	4.85	5.00	3.20	34	15.20	14.45	14.60	12.80
12	6.40	5.65	5.80	4.00	36	16.00	15.25	15.40	13.60
14	7.20	6.45	6.60	4.80	38	18.80	16.05	16.20	14.40
16	8.00	7.25	7.40	5.60	40	17.60	16.85	17.00	15.20
18	8.80	8.05	8.20	6.40	50	21.60	20.85	21.00	19.20
20	9.60	8.85	9.00	7.20	60	25.60	24.85	25.00	23.20
22	10.40	9.65	9.80	8.00	68	28.80	28.05	28.20	26.40
24	11.20	10.45	10.60	8.80	70	29.60	28.85	29.00	27.20
26	12.00	11.25	11.40	9.60	80	33.60	32.85	33.00	31.20
28	12.80	12.05	12.20	10.40	90	37.60	36.85	37.00	35.20
30	13.60	12.85	13.00	11.20	100	41.60	40.85	41.00	39.20
32	14.40	13.65	13.80	12.00					

ANGLE TOLERANCE	PROJECTION	Description:
±3°		0.8mm Board To Board Socket 4.05mm Height
GENERAL TOLERANCE	UNITS	mm
x.x ±0.30	SHEET SIZE	A4
x.xx ±0.20	Draw:	Daniel 2020-11-11
x.xxx ±0.10	Check:	Daniel 2020-11-11



NingBo KLS ELECTRONIC CO.,L TD.