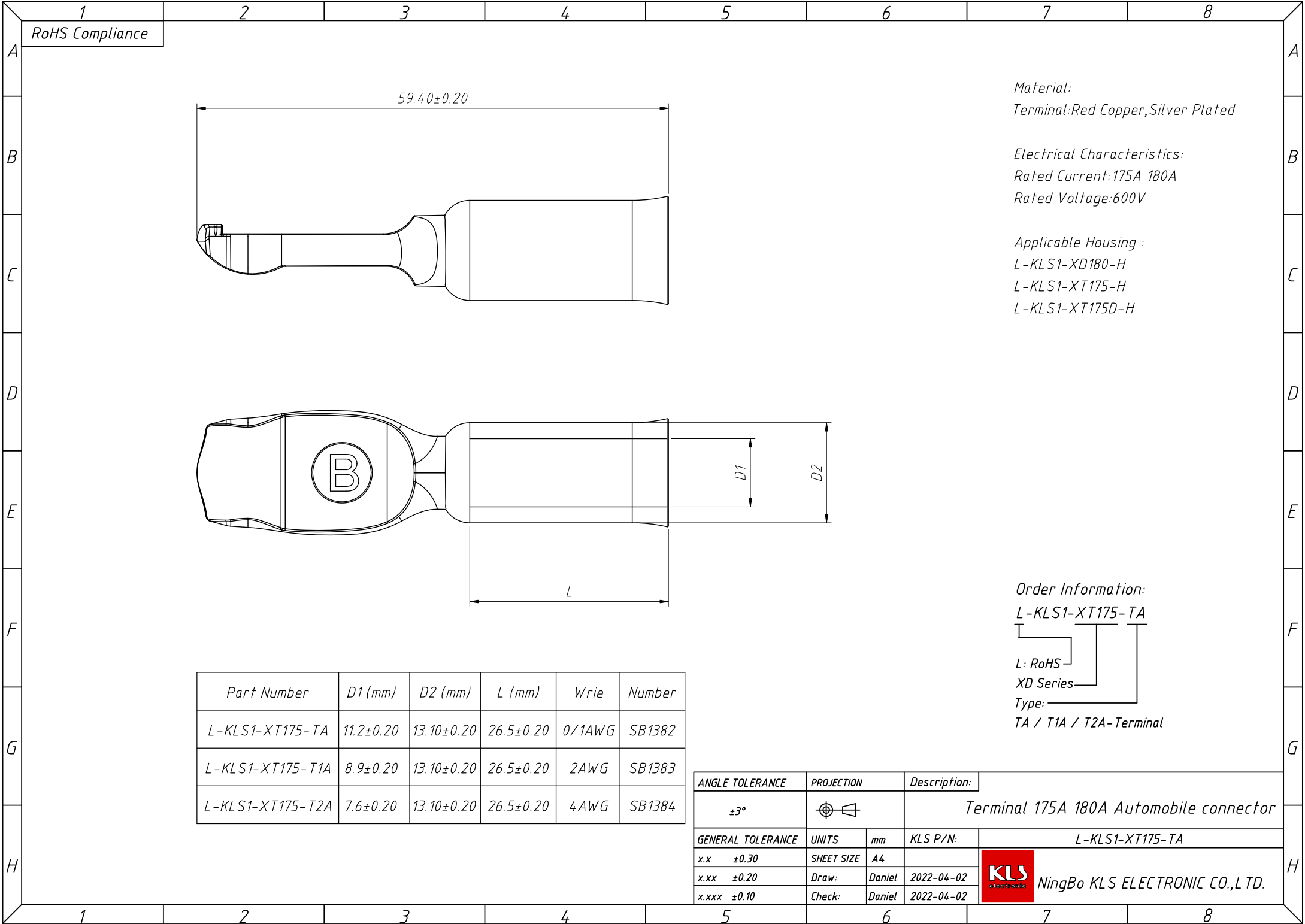


1
RoHS Compliance



Material:
Terminal: Red Copper, Silver Plated

Electrical Characteristics:
Rated Current: 175A 180A
Rated Voltage: 600V

Applicable Housing :
L-KLS1-XD180-H
L-KLS1-XT175-H
L-KLS1-XT175D-H

Order Information:
L-KLS1-XT175-TA
├── L: RoHS
├── XD Series
└── Type: TA / T1A / T2A-Terminal

Part Number	D1 (mm)	D2 (mm)	L (mm)	Wire	Number
L-KLS1-XT175-TA	11.2 ± 0.20	13.10 ± 0.20	26.5 ± 0.20	0/1AWG	SB1382
L-KLS1-XT175-T1A	8.9 ± 0.20	13.10 ± 0.20	26.5 ± 0.20	2AWG	SB1383
L-KLS1-XT175-T2A	7.6 ± 0.20	13.10 ± 0.20	26.5 ± 0.20	4AWG	SB1384

ANGLE TOLERANCE	PROJECTION		Description:	
$\pm 3^\circ$			Terminal 175A 180A Automobile connector	
GENERAL TOLERANCE	UNITS	mm	KLS P/N:	L-KLS1-XT175-TA
x.x ± 0.30	SHEET SIZE	A4		NingBo KLS ELECTRONIC CO.,L TD.
x.xx ± 0.20	Draw:	Daniel	2022-04-02	
x.xxx ± 0.10	Check:	Daniel	2022-04-02	