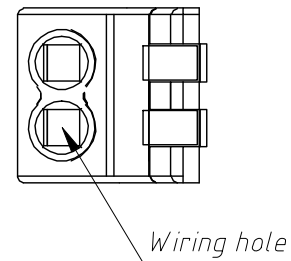
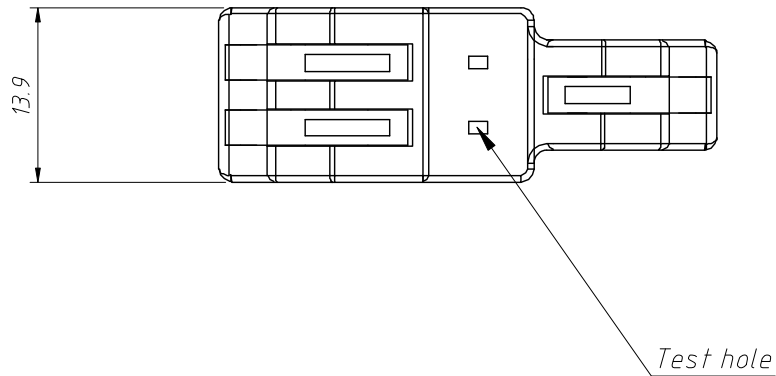
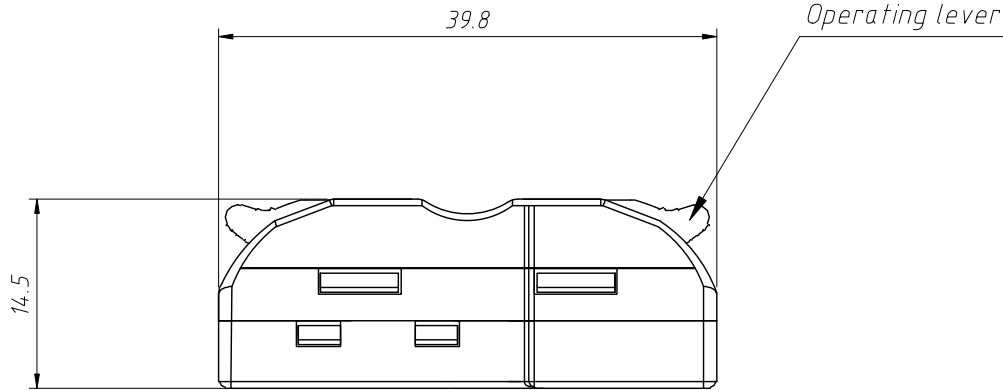


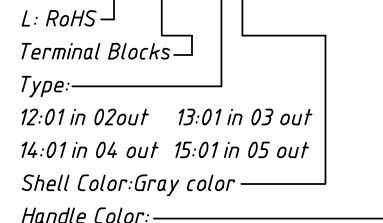
1 RoHS Compliance



Electrical data
 Rated voltage (II / 2): 250V / 600V
 Rated impulse voltage (II / 2): 4 kV
 Rated current: 32 A
 Legend (ratings): (II / 2)
 Overvoltage category: II
 Pollution degree : 2
Connection data
 Connection technology: CAGE CLAMP®
 Actuation type: Lever
 Connectable conductor materials: Copper
 Nominal cross section : 2.5 mm²
 Solid conductor: 0.08 ~ 2.5 mm² / 28 ~ 12 AWG
 Stranded conductor: 0.08 ~ 2.5 mm² / 28 ~ 12 AWG
 Fine-stranded conductor: 0.08 ~ 4.0 mm² / 28 ~ 12 AWG
 Strip length: 9 ~ 10 mm / 0.35 ~ 0.39 Inch
 Total number of potentials : 1
 Type of wiring: Side-entry wiring
Material Data
 Color: Gray
 Flammability class per UL 94: V2

Order Information:

L-KLS2-L04-F-12A B



L: RoHS
 Terminal Blocks
 Type:
 12: 01 in 02 out 13: 01 in 03 out
 14: 01 in 04 out 15: 01 in 05 out
 Shell Color: Gray color
 Handle Color:

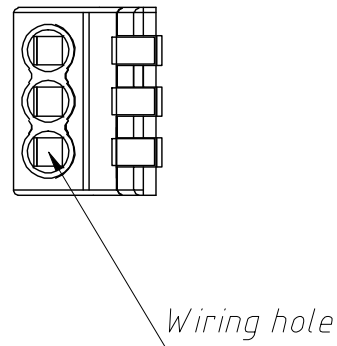
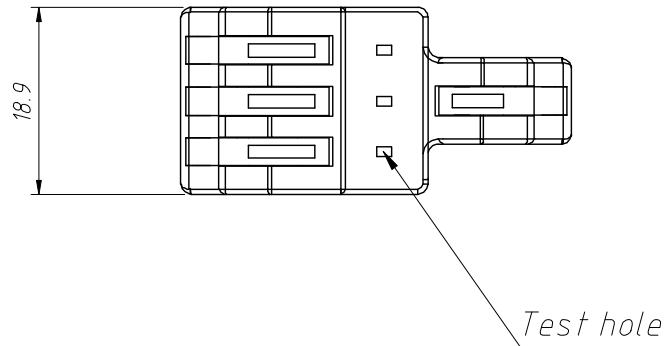
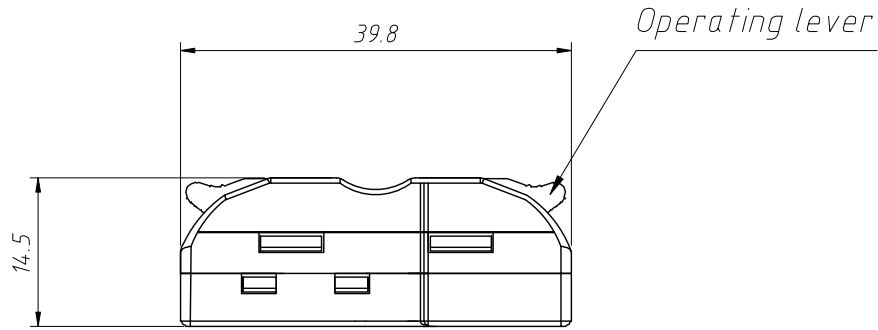
O-Orange press handle R-Red press handle
 Y-Yellow press handle B-Blue press handle

ANGLE TOLERANCE	PROJECTION	Description:	Wire Splice Connectors, For 4mm ² , 01 in 02 03 04 05 out
±3°			
GENERAL TOLERANCE	UNITS	mm	KLS P/N: L-KLS2-L04-F-12AB
x.x ±0.30	SHEET SIZE	A4	
x.xx ±0.20	Draw:	Daniel	2021-11-05
x.xxx ±0.10	Check:	Daniel	2021-11-05



NingBo KLS ELECTRONIC CO., L TD.

1 RoHS Compliance



Electrical data
 Rated voltage (II / 2): 250V / 600V
 Rated impulse voltage (II / 2): 4 kV
 Rated current: 32 A
 Legend (ratings): (II / 2)
 Overvoltage category: II
 Pollution degree : 2
Connection data
 Connection technology: CAGE CLAMP®
 Actuation type: Lever
 Connectable conductor materials: Copper
 Nominal cross section : 2.5 mm²
 Solid conductor: 0.08 ~ 2.5 mm² / 28 ~ 12 AWG
 Stranded conductor: 0.08 ~ 2.5 mm² / 28 ~ 12 AWG
 Fine-stranded conductor: 0.08 ~ 4.0 mm² / 28 ~ 12 AWG
 Strip length: 9 ~ 10 mm / 0.35 ~ 0.39 Inch
 Total number of potentials : 1
 Type of wiring: Side-entry wiring
Material Data
 Color: Gray
 Flammability class per UL 94: V2

Order Information:

L-KLS2-L04-F-13A B

L: RoHS

Terminal Blocks

Type:

12:01 in 02out 13:01 in 03 out

14:01 in 04 out 15:01 in 05 out

Shell Color: Gray color

Handle Color:

O-Orange press handle R-Red press handle

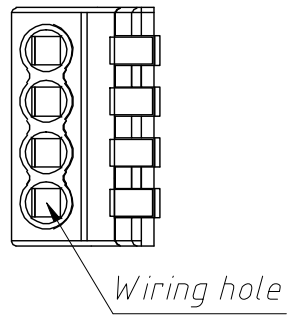
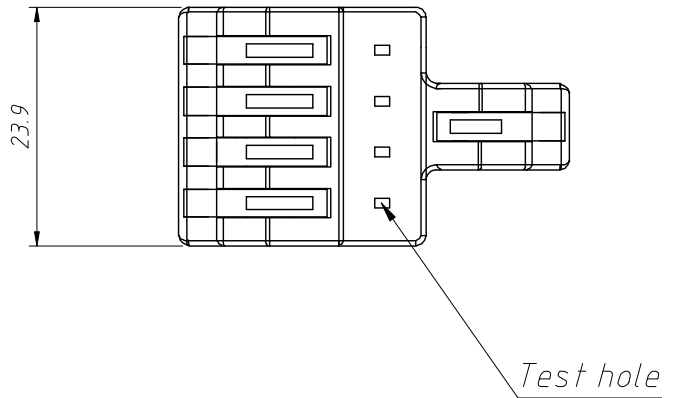
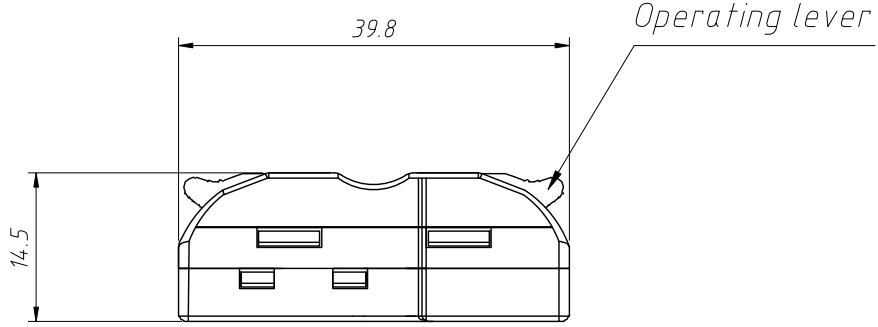
Y-Yellow press handle B-Blue press handle

ANGLE TOLERANCE	PROJECTION	Description:	Wire Splice Connectors, For 4mm ² , 01 in 02 03 04 05 out
±3°			
GENERAL TOLERANCE	UNITS	mm	KLS P/N: L-KLS2-L04-F-13AB
x.x ±0.30	SHEET SIZE	A4	
x.xx ±0.20	Draw:	Daniel	2021-11-05
x.xxx ±0.10	Check:	Daniel	2021-11-05



NingBo KLS ELECTRONIC CO.,L TD.

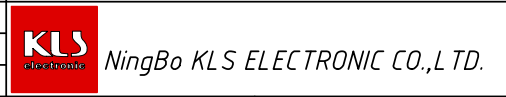
1
RoHS Compliance



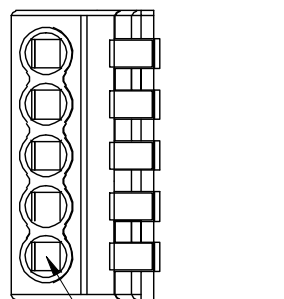
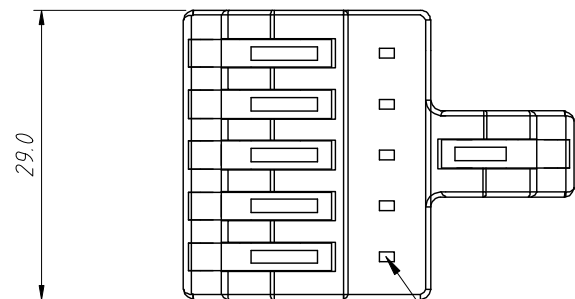
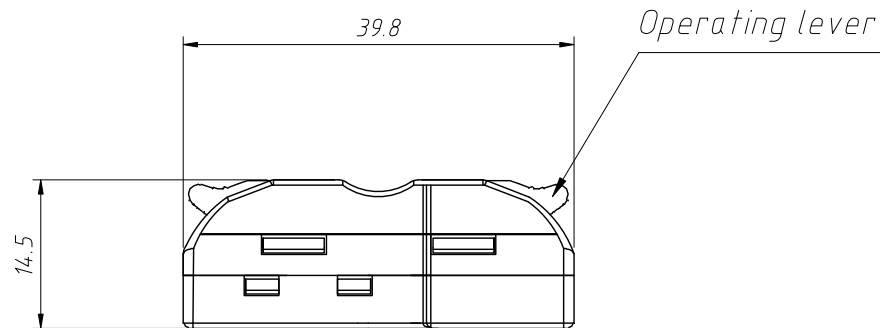
Electrical data
 Rated voltage (II / 2): 250V / 600V
 Rated impulse voltage (II / 2): 4 kV
 Rated current: 32 A
 Legend (ratings): (II / 2)
 Overvoltage category: II
 Pollution degree : 2
Connection data
 Connection technology: CAGE CLAMP®
 Actuation type: Lever
 Connectable conductor materials: Copper
 Nominal cross section : 2.5 mm²
 Solid conductor: 0.08 ~ 2.5 mm² / 28 ~ 12 AWG
 Stranded conductor: 0.08 ~ 2.5 mm² / 28 ~ 12 AWG
 Fine-stranded conductor: 0.08 ~ 4.0 mm² / 28 ~ 12 AWG
 Strip length: 9 ~ 10 mm / 0.35 ~ 0.39 Inch
 Total number of potentials : 1
 Type of wiring: Side-entry wiring
Material Data
 Color: Gray
 Flammability class per UL 94: V2

Order Information:
 L-KLS2-L04-F-14A B
 L: RoHS
 Terminal Blocks
 Type:
 12: 01 in 02 out 13: 01 in 03 out
 14: 01 in 04 out 15: 01 in 05 out
 Shell Color: Gray color
 Handle Color:
 O-Orange press handle R-Red press handle
 Y-Yellow press handle B-Blue press handle

ANGLE TOLERANCE	PROJECTION	Description:	Wire Splice Connectors, For 4mm ² , 01 in 02 03 04 05 out
±3°			
GENERAL TOLERANCE	UNITS	mm	KLS P/N: L-KLS2-L04-F-14AB
x.x ±0.30	SHEET SIZE	A4	
x.xx ±0.20	Draw:	Daniel	2021-11-05
x.xxx ±0.10	Check:	Daniel	2021-11-05



1 RoHS Compliance



Electrical data

Rated voltage (II / 2): 250V / 600V

Rated impulse voltage (II / 2): 4 kV

Rated current: 32 A

Legend (ratings): (II / 2)

Overvoltage category: II

Pollution degree: 2

Connection data

Connection technology: CAGE CLAMP®

Actuation type: Lever

Connectable conductor materials: Copper

Nominal cross section: 2.5 mm²

Solid conductor: 0.08 ~ 2.5 mm² / 28 ~ 12 AWG

Stranded conductor: 0.08 ~ 2.5 mm² / 28 ~ 12 AWG

Fine-stranded conductor: 0.08 ~ 4.0 mm² / 28 ~ 12 AWG

Strip length: 9 ~ 10 mm / 0.35 ~ 0.39 Inch

Total number of potentials: 1

Type of wiring: Side-entry wiring

Material Data

Color: Gray

Flammability class per UL94: V2

Order Information:

L-KLS2-L04-F-15A B

L: RoHS

Terminal Blocks

Type:

12:01 in 02 out 13:01 in 03 out

14:01 in 04 out 15:01 in 05 out

Shell Color: Gray color

Handle Color:

O-Orange press handle R-Red press handle

Y-Yellow press handle B-Blue press handle

ANGLE TOLERANCE	PROJECTION	Description:	Wire Splice Connectors, For 4mm ² , 01 in 02 03 04 05 out
±3°			
GENERAL TOLERANCE	UNITS	mm	KLS P/N: L-KLS2-L04-F-15AB
x.x ±0.30	SHEET SIZE	A4	
x.xx ±0.20	Draw:	Daniel	2021-11-05
x.xxx ±0.10	Check:	Daniel	2021-11-05



NingBo KLS ELECTRONIC CO.,L TD.