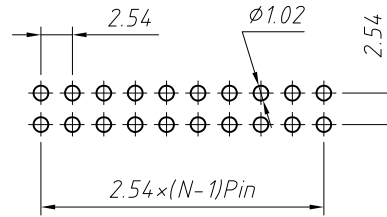
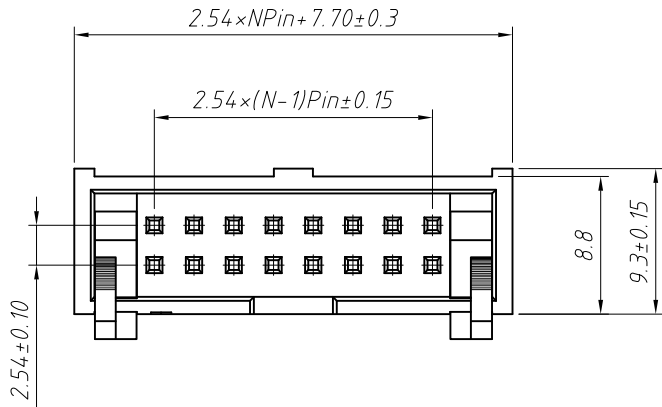


1 RoHS Compliance

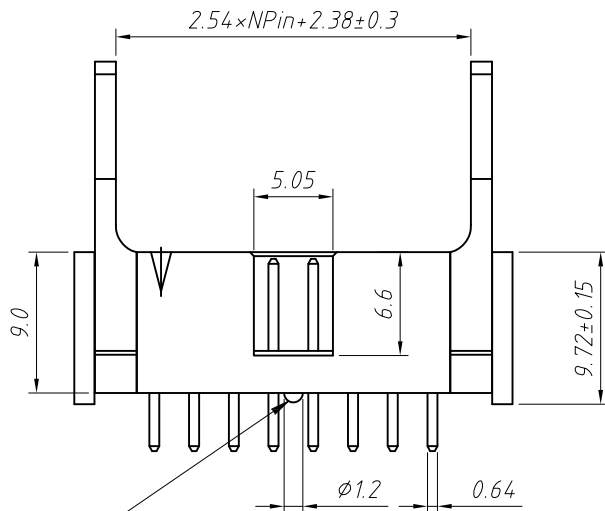


Recommended P.C.B Layout (Top Side)
(PCB BOARD TOLERANCE ±0.05)

Material:
Housing: PBT, UL 94V-0
Contact: Brass
Plating: Gold plated 0.8u"

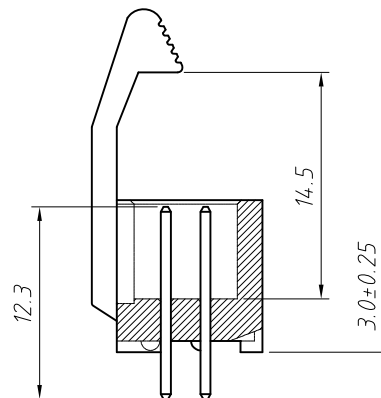
Electrical Characteristics:
Rated Current: 3.0AMP
Contact Resistance: 20mΩ Max
Withstand Voltage: 1000V AC/DC
Insulator Resistance: 1000MΩ Min

Mechanical
Operating Temperature: -40°C ~ +105°C
Max. Processing Temp: 180°C for 30-60 seconds (200°C for 10 seconds)

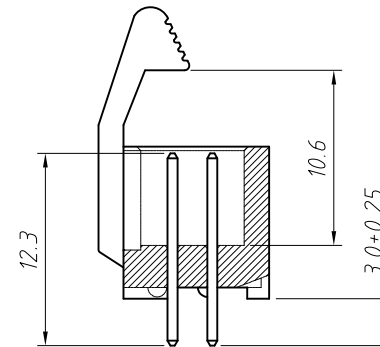


Note: 2xNPin No convex point (N is an odd number)

D=Long Latch



D1=Short Latch



Order Information:

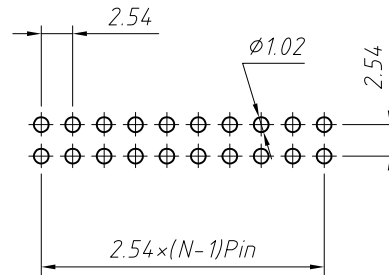
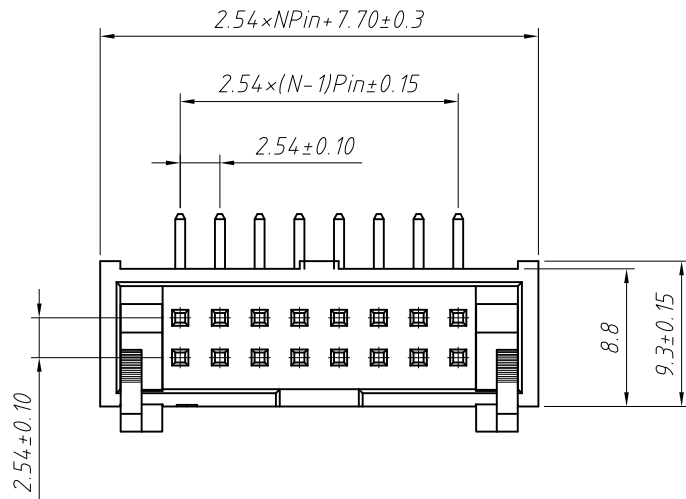
L-KLS1-202G-XX-S-B-D-□
L: RoHS
Box Header Series
202G: 2.54mm Pitch
XX-No. of 08 ~ 64 pin
Type: S-Straight pin
R-Right Angle Pin T-SMT
Color: B-Black G-Gray
Latch Type: D=Long Latch
D1=Short Latch
Material: NONE=PBT B=PA6T

ANGLE TOLERANCE	PROJECTION	Description:
±3°		2.54mm Pitch Box Header Connector
GENERAL TOLERANCE	UNITS	mm
x.x ±0.30	SHEET SIZE	A4
x.xx ±0.20	Draw:	Daniel 2018-07-10
x.xxx ±0.10	Check:	Daniel 2018-07-10



NingBo KLS ELECTRONIC CO.,LTD.

1 RoHS Compliance

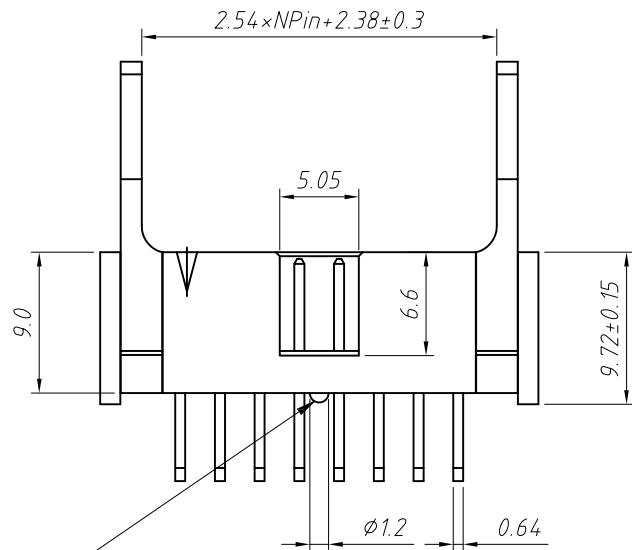


Recommended P.C.B Layout (Top Side)
(PCB BOARD TOLERANCE ±0.05)

Material:
Housing: PBT, UL 94 V-0
Contact: Brass
Plating: Gold plated 0.8u"

Electrical Characteristics:
Rated Current: 3.0 AMP
Contact Resistance: 20mΩ Max
Withstand Voltage: 1000V AC/DC
Insulator Resistance: 1000MΩ Min

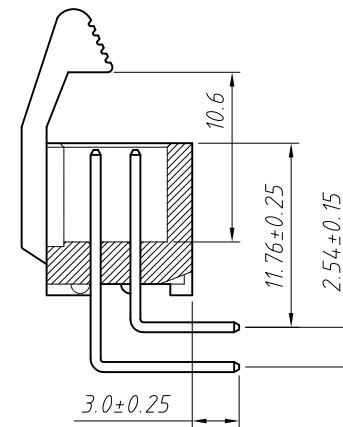
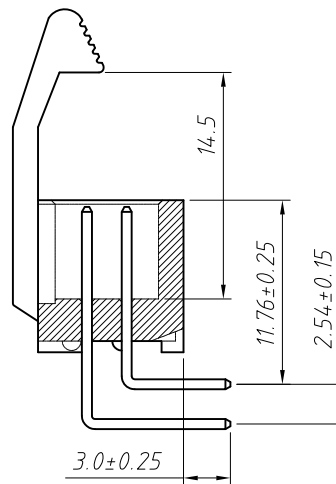
Mechanical
Operating Temperature: -40°C ~ +105°C
Max. Processing Temp: 180°C for 30-60 seconds (200°C for 10 seconds)



Note: 2 x N PIN No convex point (N is an odd number)

D=Long Latch

D1=Short Latch



Order Information:

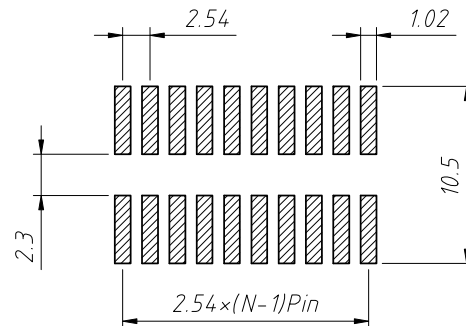
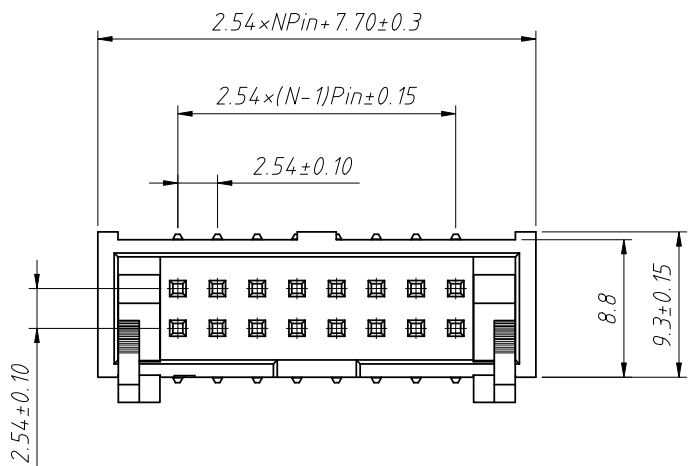
L-KLS1-202G-XX-R-B-D-□
L: RoHS
Box Header Series
202G: 2.54mm Pitch
XX-No. of 08 ~ 64 pin
Type: S-Straight pin
R-Right Angle Pin T-SMT
Color: B-Black G-Gray
Latch Type: D=Long Latch
D1=Short Latch
Material: NONE=PBT B=PA6T

ANGLE TOLERANCE	PROJECTION	Description:
±3°		2.54mm Pitch Box Header Connector
GENERAL TOLERANCE	UNITS	mm
x.x ±0.30	SHEET SIZE	A4
x.xx ±0.20	Draw:	Daniel 2018-07-10
x.xxx ±0.10	Check:	Daniel 2018-07-10



NingBo KLS ELECTRONIC CO.,LTD.

1 RoHS Compliance



Recommended P.C.B Layout (Top Side)
(PCB BOARD TOLERANCE ±0.05)

Material:
Housing: PA6T, UL94V-0
Contact: Brass
Plating: Gold plated 0.8u"

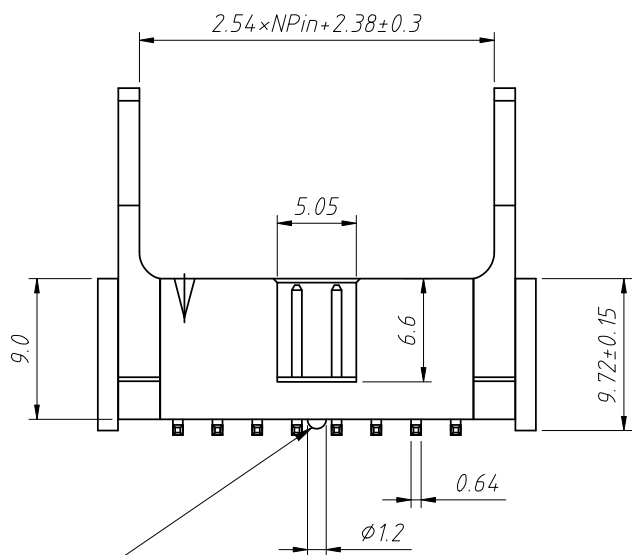
Electrical Characteristics:
Rated Current: 3.0AMP
Contact Resistance: 20mΩ Max
Withstand Voltage: 1000V AC/DC
Insulator Resistance: 1000MΩ Min

Mechanical
Operating Temperature: -40°C ~ +105°C
Max. Processing Temp: 230°C for 30-60 seconds (260°C for 10 seconds)

Order Information:

L-KLS1-202G-XX-T-B-D-B-A

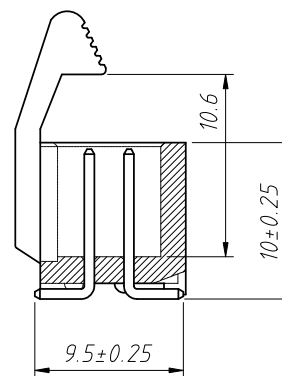
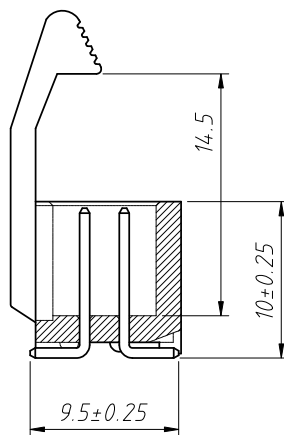
L: RoHS
Box Header Series
202G: 2.54mm Pitch
XX-No. of 08 ~ 64 pins
Type: S-Straight pin
R-Right Angle Pin T-SMT
Color: B-Black G-Gray
Latch Type: D=Long Latch
D1=Short Latch
Material: B=PA6T
Packing:
A=Tray



Note: 2 x NPin No convex point (N is an odd number)

D=Long Latch

D1=Short Latch



ANGLE TOLERANCE	PROJECTION	Description:
±3°		2.54mm Pitch Box Header Connector
GENERAL TOLERANCE	UNITS	mm
x.x ±0.30	SHEET SIZE	A4
x.xx ±0.20	Draw:	Daniel 2018-07-10
x.xxx ±0.10	Check:	Daniel 2018-07-10

KLS NingBo KLS ELECTRONIC CO.,LTD.