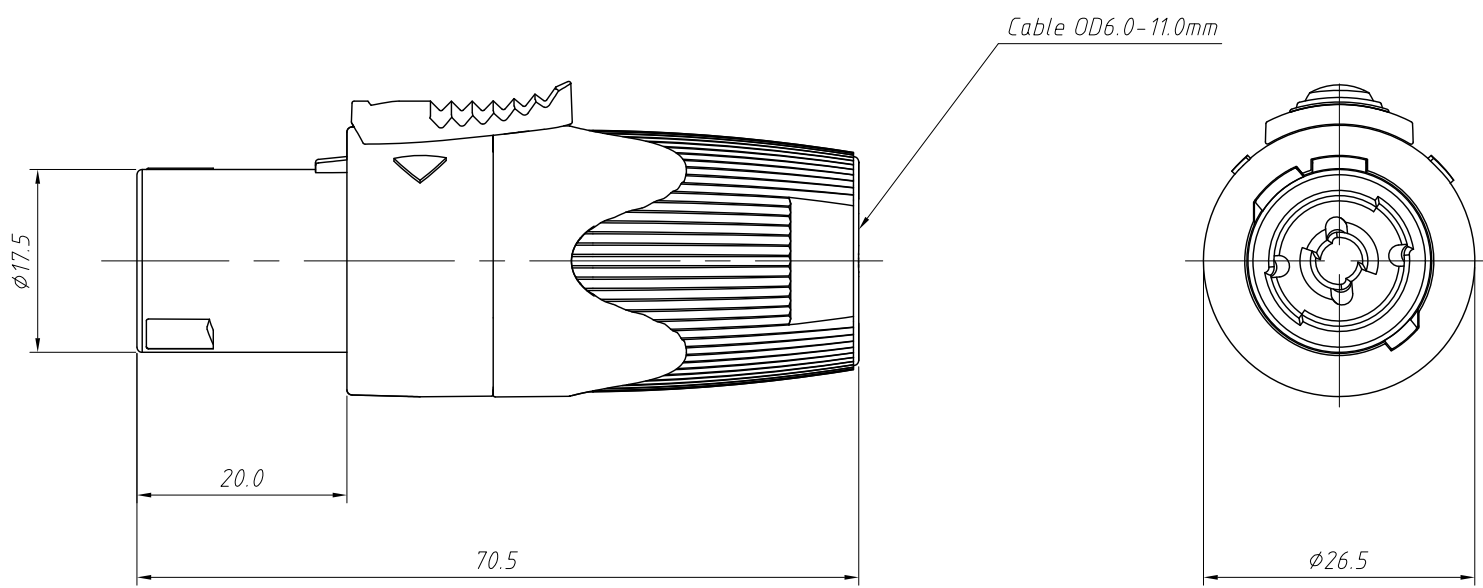


1
RoHS Compliance



- Electrical:**
- 1.Voltage Rating: 250VAC
 - 2.Current Rating: 15A Max.
 - 3.Contact Resistance: 30mΩ Max.
 - 4.Insulation Resistance: 1000MΩ Min.
 - 5.Withstanding Resistance :1000VAC Min.

- Mechanical:**
- 1.Durability: 1000 cycles Min.
 - 2.Insertion Force: 5~20N
 - 3./withdrawal Force: 5~20N.

Order Information:
 L-KLS1-SL P-0607-04-BL

L: RoHS
 speakON series
 Type: S- Socket P- Plug
 Order Number
 No. of 04 pins
 Color: BL - Blue

| | | | |
|-------------------|------------|--------------------------------|--------------------------------|
| ANGLE TOLERANCE | PROJECTION | Description: | |
| ±3° | | 4 Pole SpeakON Connectors Plug | |
| GENERAL TOLERANCE | UNITS | mm | KLS P/N: L-KLS1-SLP-0607-04-BL |
| x.x ±0.30 | SHEET SIZE | A4 | 1 / 1 page |
| x.xx ±0.20 | Draw: | Daniel | 2021-08-28 |
| x.xxx ±0.10 | Check: | Daniel | 2021-08-28 |