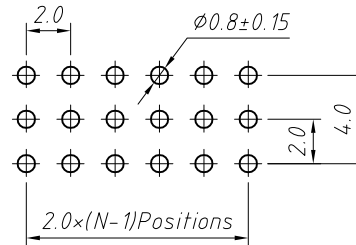
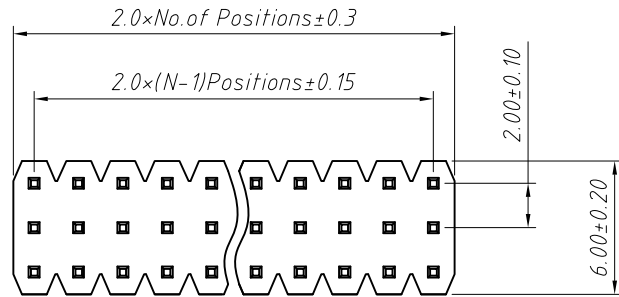


RoHS Compliance



Recommended P.C. Board Layout
PCB TOLERANCE ± 0.05 (Top VIEW)

Material:
 Standard: PA6T
 Contact: Brass, Au or Sn Over 40u" Ni
 Insulator: Polyester, UL 94 V-0

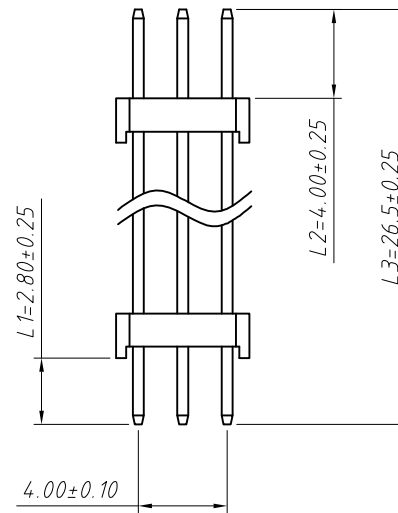
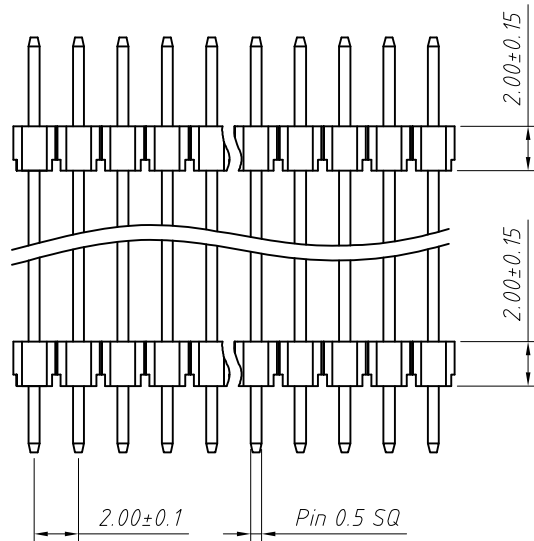
Electrical Characteristics:
 Rated Current: 1.5AMP
 Contact Resistance: $20m\Omega$ Max
 Withstand Voltage: 500V AC/DC
 Insulator Resistance: $1000M\Omega$ Min

Mechanical
 Operating Temperature: $-40^{\circ}\text{C} \sim +105^{\circ}\text{C}$
 Max. Processing Temp: 180 for 30-60 seconds
 (200°C for 10 seconds)

Order Information:

L-KLS1-218BF-2.00-3-XX-S-L1xL2xL3-G0

L: RoHS
 Pin Header Series
 218BF: 2.00mm
 Plastics Height:
 1.50, 2.00 mm
 Per Row: Three layer
 Pin: No. of Pins (03 ~ 120)
 Type: Straight Pin
 Size: L1xL2xL3
 Plating:
 G0=Gold Flash G1=1u" Gold
 G10=10u" Gold G15=15u" Gold
 G30=30u" Gold



Dimension antitheses list (mm)

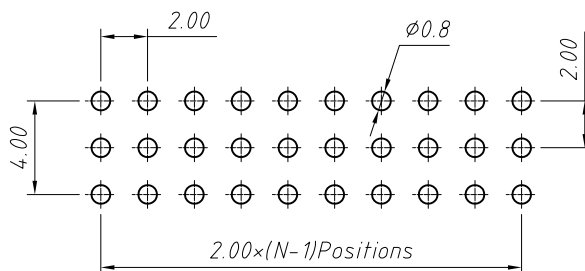
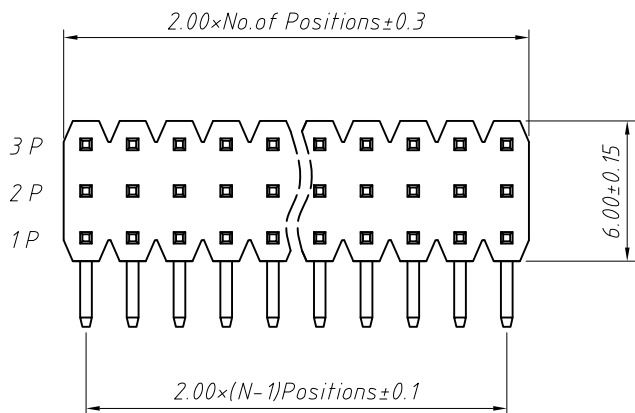
ITEM	L1	L2	L3	Plastic Height
Standard	2.80	4.00	26.5	2.00
Nonstandard	---	---	---	---

ANGLE TOLERANCE	PROJECTION	Description:
$\pm 3^{\circ}$		2.00mm Pin Header Three layer, Straight Pin, 3xN Pin
GENERAL TOLERANCE	UNITS	mm
x.x ± 0.30	SHEET SIZE	A4
x.xx ± 0.20	Draw:	Daniel 2018-07-10
x.xxx ± 0.10	Check:	Daniel 2018-07-10



NingBo KLS ELECTRONIC CO., L TD.

RoHS Compliance



Recommended P.C.B Layout (Top Side)
(PCB BOARD TOLERANCE ± 0.05)

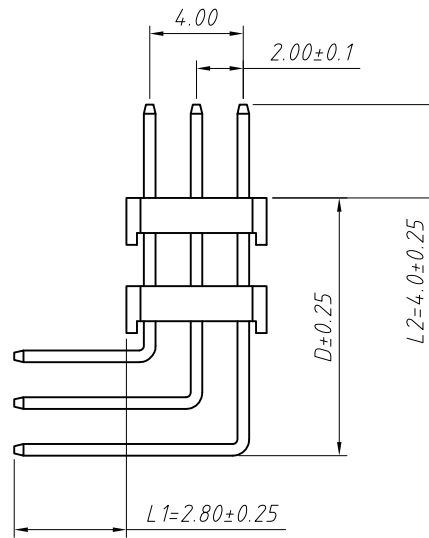
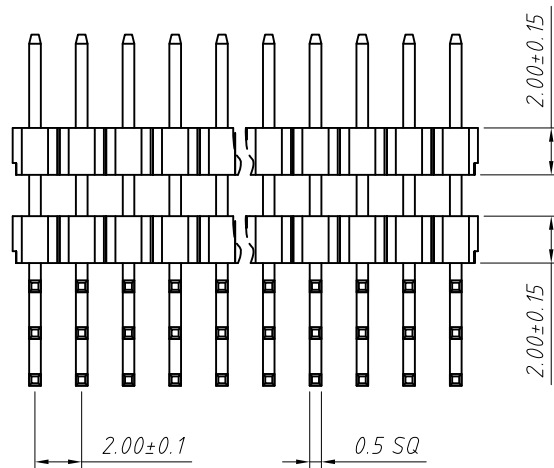
Material:
Standard: PA6T
Contact: Brass, Au or Sn Over 40u" Ni
Insulator: Polyester, UL 94 V-0

Electrical Characteristics:
Rated Current: 1.5AMP
Contact Resistance: 20mΩ Max
Withstand Voltage: 500V AC/DC
Insulator Resistance: 1000MΩ Min

Mechanical
Operating Temperature: -40°C ~ +105°C
Max. Processing Temp: 180 for 30-60 seconds
(200°C for 10 seconds)

Order Information:
L-KLS1-218BF-2.00-3-XX-R2-L1xL2xD-G0

L: RoHS
Pin Header Series
218BF: 2.00mm
Plastics Height:
1.50, 2.00 mm
Per Row: Three layer
Pin: No. of Pins (03 ~ 120)
Right angle Pin: R2 Type
Size: L1xL2xD
Plating:
G0=Gold Flash G1=1u" Gold
G10=10u" Gold G15=15u" Gold
G30=30u" Gold



R2 Type

Dimension antitheses list (mm)

ITEM	L1	L2	D	Plastic Height
Standard	2.80	4.00	---	2.00
Nonstandard	---	---	---	---

ANGLE TOLERANCE	PROJECTION	Description:	2.00mm Pin Header	
±3°		Three layer, Right angle Pin, 3xN Pin		
GENERAL TOLERANCE	UNITS	mm	KLS P/N:	L-KLS1-218BF-2.00-3-XX-R2-L1xL2xD-G0
x.x ±0.30	SHEET SIZE	A4		
x.xx ±0.20	Draw:	Daniel	2018-07-10	NingBo KLS ELECTRONIC CO., L TD.
x.xxx ±0.10	Check:	Daniel	2018-07-10	