

Tactile Switches

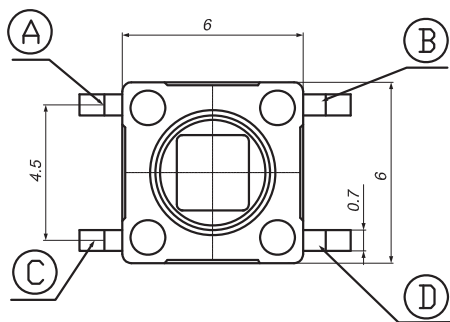
KLS 7-TS6603T Tactile switch 6x6mm,SMT ,SQ knob

Material:

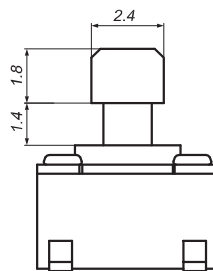
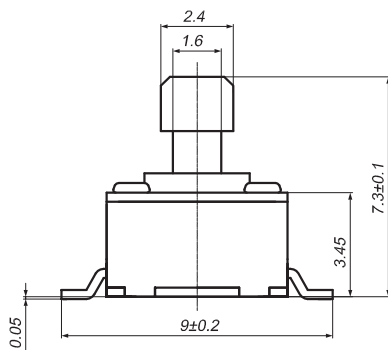
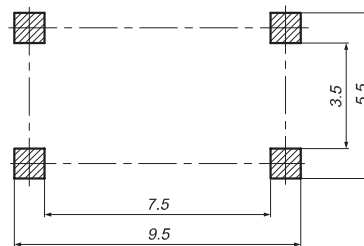
- 1, Insert: H62Y silvered
- 2, The base: PPA
- 3, Shrapnel: silver coated copper
- 4, Party hat head: PPA Black
- 5 Cover: H62T copper tin

Electrical Characteristics:

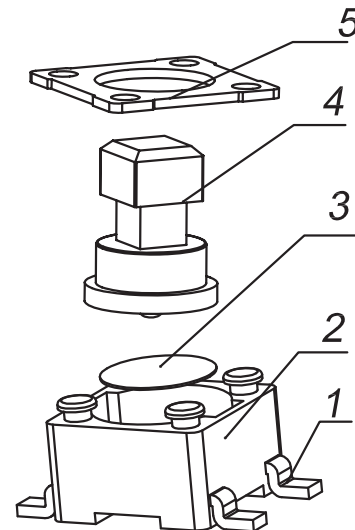
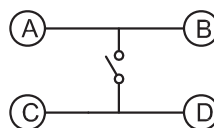
Rating: 50mA 12VDC
 Contact Resistance : 50mΩ max(initial)
 Insulation Resistance: 100MΩ (minDC 250V)
 Dielectric Strength : AC250V(50/60Hz for 1minute)
 Electrically Life:80,000cycles
 Environment temperature: -25°C ~ 105°C
 Operating Force: 180/250(±30gf)



Recommended P.C.B layout



SCHMATIC



ORDER INFORMATION

Product NO.:L-KLS7-TS6603T- 180- B

