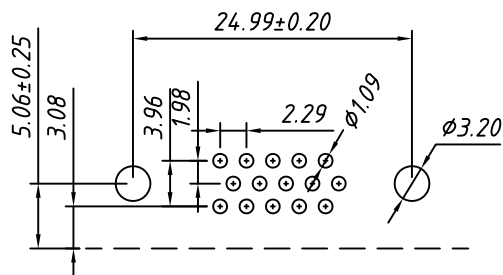
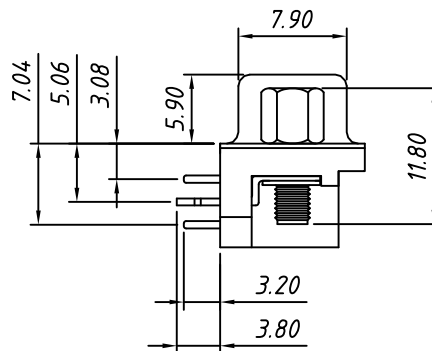
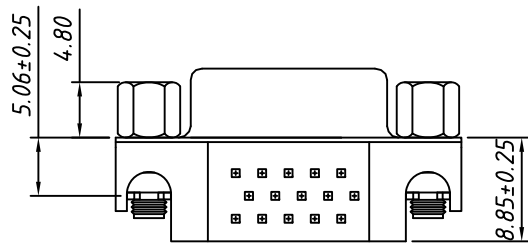
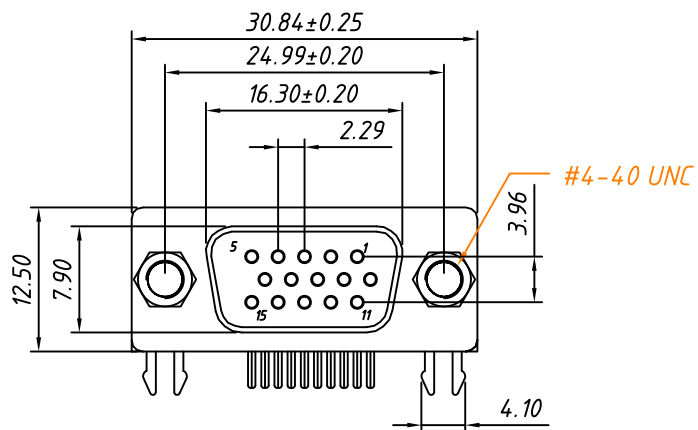


1 RoHS Compliant

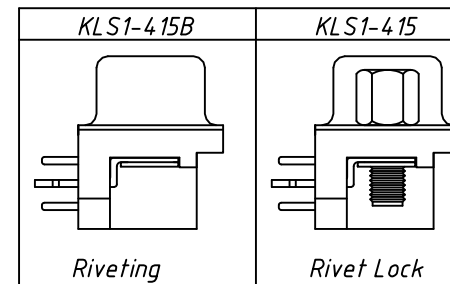
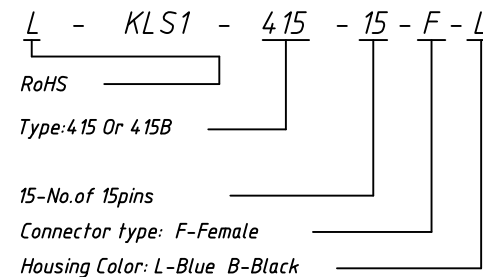


RECOMMENDED PCB LAYOUT
TOLERANCE: ±0.05mm

Material:
Housing: PBT+30% Glass filled ,UL94V-0
Contacts: Brass ,Gold Plating.
Shell: Steel, Nickel Plating

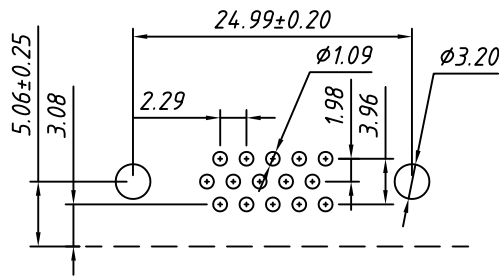
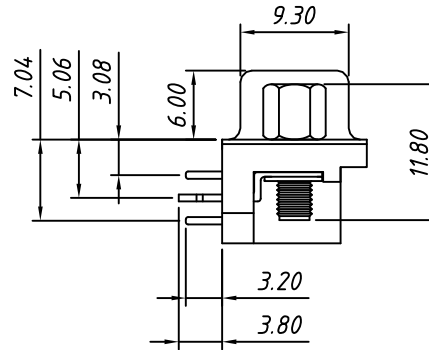
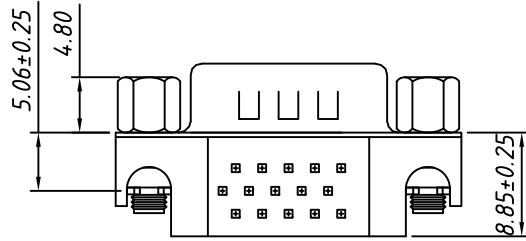
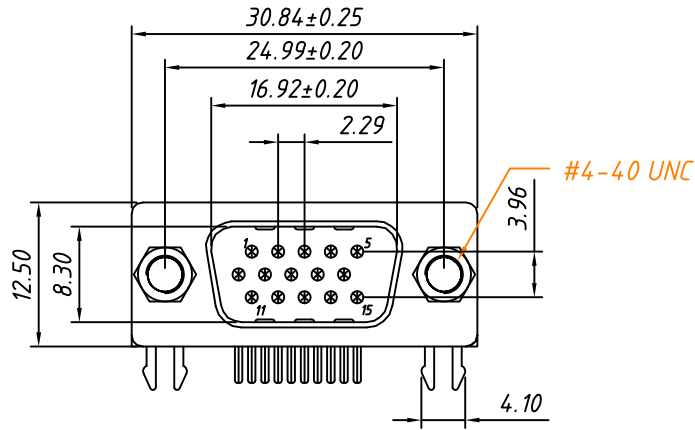
Electrical Characteristics:
Current Rating: 5 AMP
Insulator Resistance: 1000MΩ Min. at DC 500V
Withstanding Voltage: 500V AC (rms) for 1 minute
Contact Resistance: 20mΩ Max. Initial
Operating Temperature: -55°C ~ +105°C

Order Information



| | | | |
|-------------------|------------|------------|---------------------------------|
| GENERAL TOLERANCE | PROJECTION | | Description: |
| .X ±0.30 | UNITS | mm | D-SUB Connector,R/A, |
| .X ±0.25 | SCALE | 1:1 | Through Hole, 3.08mm,Female |
| .XX ±0.20 | Draw by: | Daniel | KLS P/N: L-KLS1-415-15-F-L |
| ANGLE TOLERANCE | Check by: | Daniel | NingBo KLS ELECTRONIC CO.,L TD. |
| .X ±3° | Date | 2018-03-01 | |
| .X ±2° | SHEET | 1 OF 1 | |
| .XX ±1° | | | |

1 RoHS Compliant

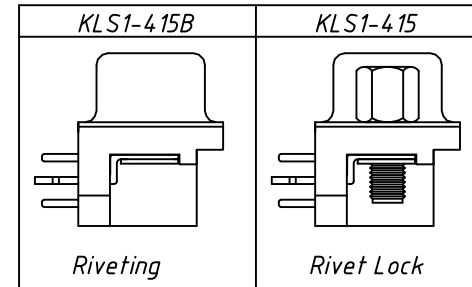
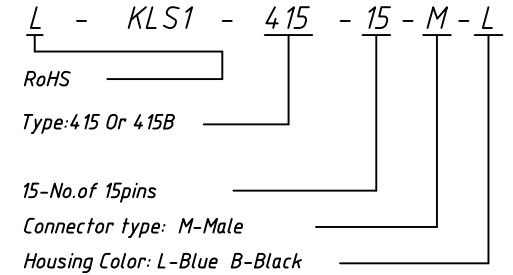


RECOMMENDED PCB LAYOUT
TOLERANCE: ±0.05mm

Material:
Housing: PBT+30% Glass filled ,UL 94V-0
Contacts: Brass ,Gold Plating
Shell: Steel, Nickel Plating

Electrical Characteristics:
Current Rating: 5 AMP
Insulator Resistance: 1000MΩ Min. at DC 500V
Withstanding Voltage: 500V AC (rms) for 1 minute
Contact Resistance: 20mΩ Max. Initial
Operating Temperature: -55°C ~ +105°C

Order Information



| | | | |
|-------------------|------------|------------|---------------------------------|
| GENERAL TOLERANCE | PROJECTION | | Description: |
| .X ±0.30 | UNITS | mm | D-SUB Connector, R/A, |
| .X ±0.25 | SCALE | 1:1 | Through Hole, 3.08mm, Male |
| .XX ±0.20 | Draw by: | Daniel | KLS P/N: L-KLS1-415-15-M-L |
| ANGLE TOLERANCE | Check by: | Daniel | |
| .X ±3° | Date | 2018-03-01 | |
| .X ±2° | SHEET | 1 OF 1 | |
| .XX ±1° | | | NingBo KLS ELECTRONIC CO.,L TD. |