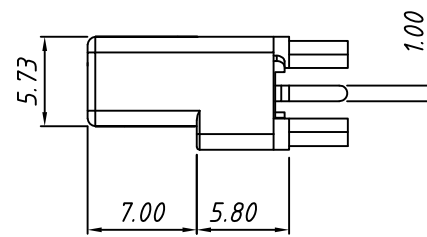
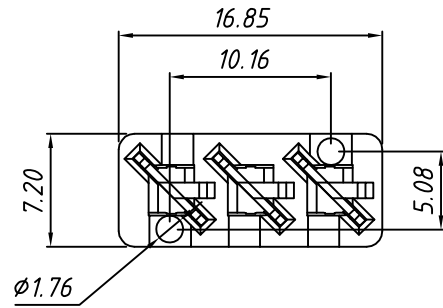


Material:
Housing: PC
Flammability Rating : UL94V-2
Contacts: Phosphor Bronze T=0.50mm
Plating: TIN Plating

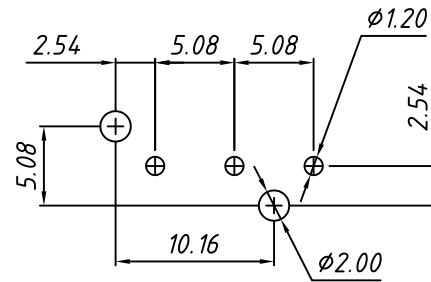
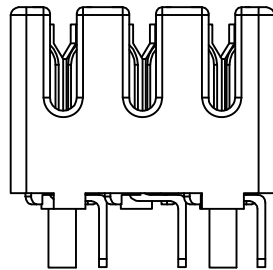
Electrical:
Voltage Rating: 125VAC
Current Rating: 1.5A
Contact Resistance: 30mΩ Max.
Insulation Resistance: 500MΩ Min. at 500V dc
Dielectric Strength: 1000VAC Rms 50Hz, 1 Min.
Durability: 750 cycles Min.
Operation Temperature: -40°C ~ +85°C



Order Information

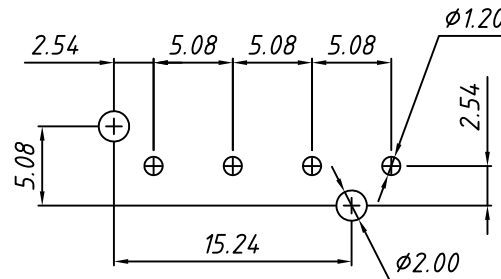
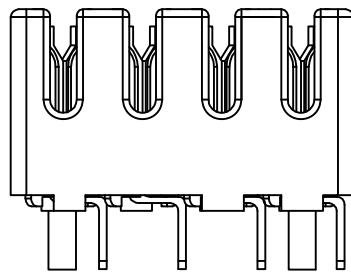
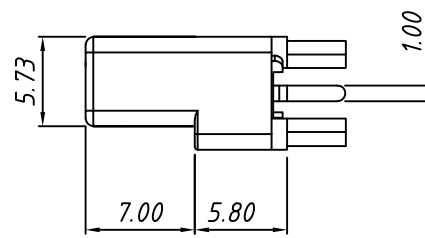
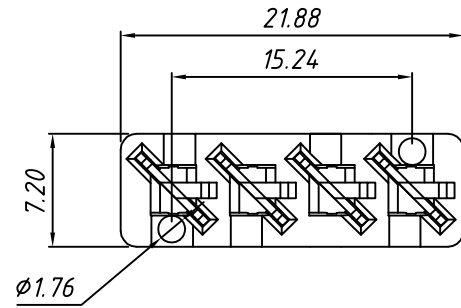
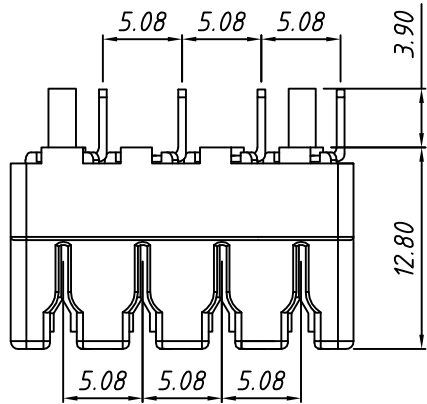
L-KLS12-CM110-10-03

RoHS
Contacts:
03- 3 Contacts



PCB LAYOUT
Tol: ±0.05mm

GENERAL TOLERANCE	PROJECTION		Description:
.X ±0.30	UNITS	mm	Krone IDC Block PCB-PLUS
.X ±0.20	SCALE	1:1	
.XX ±0.15	Draw by:	Daniel	
ANGLE TOLERANCE	Check by:	Daniel	KLS P/N: L-KLS12-CM110-10-03
±1°	Date	2020-04-20	NingBo KLS ELECTRONIC CO.,LTD.
	SHEET	1 OF 1	



PCB LAYOUT
Tol: ±0.05mm

Material:
Housing: PC
Flammability Rating : UL94V-2
Contacts: Phosphor Bronze T=0.50mm
Plating: TIN Plating

Electrical:
Voltage Rating: 125VAC
Current Rating: 1.5A
Contact Resistance: 30mΩ Max.
Insulation Resistance: 500MΩ Min. at 500V dc
Dielectric Strength: 1000VAC Rms 50Hz, 1 Min.
Durability: 750 cycles Min.
Operation Temperature: -40°C ~ +85°C

Order Information

L-KLS12-CM110-10-04

RoHS
Contacts:
04- 4 Contacts

GENERAL TOLERANCE	PROJECTION		Description:
.X ±0.30	UNITS	mm	Krone IDC Block PCB-PLUS
.X ±0.20	SCALE	1:1	
.XX ±0.15	Draw by:	Daniel	
ANGLE TOLERANCE	Check by:	Daniel	KLS P/N: L-KLS12-CM110-10-04
±1°	Date	2020-04-20	NingBo KLS ELECTRONIC CO.,LTD.
	SHEET	1 OF 1	