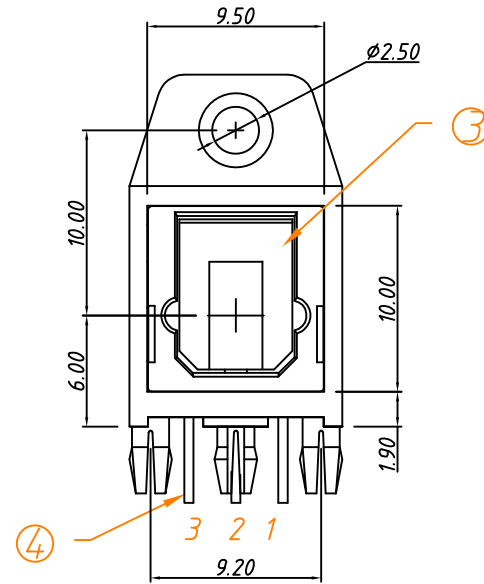
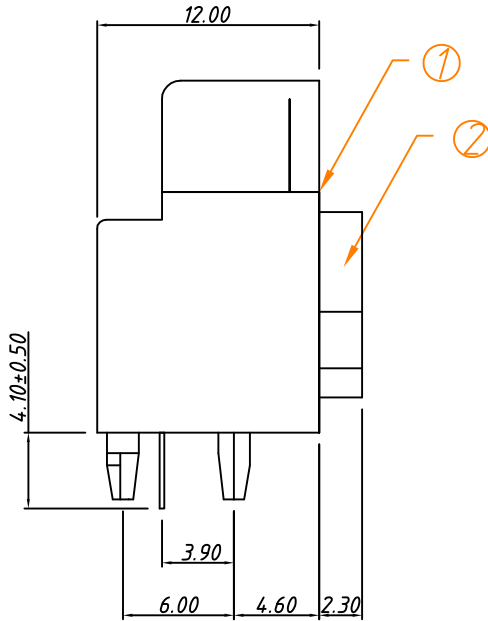
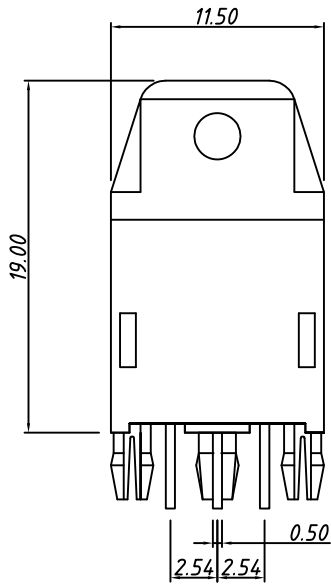
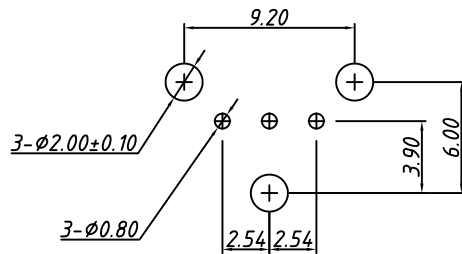


1 RoHS Compliance



Pin Function
 1- Vout
 2- GND
 3- Vcc



P.C.B LAYOUT
 TOLERANCE:±0.30

Order information:
 L-KLS1-SJ R -007-XXX
 L: RoHS
 R: Receiver
 XXX: Frequency
 96K- 96KHz
 192K- 192KHz

| | | | | |
|------|-----------|----------|------|-----------|
| 4 | IR | | 1 | Receiving |
| 3 | SHUTTER | PBT | 1 | |
| 2 | SET | PBT | 1 | |
| 1 | Body | PBT | 1 | |
| ITEM | PART NAME | Material | Q'TY | REMARK |

| | | |
|------------|------------|---------------------------------|
| PROJECTION | | Description: |
| UNITS | mm | Receiver FIBER OPTIC Jacks |
| SCALE | 1:1 | |
| Draw: | Daniel | KLS P/N: L-KLS1-SJR-007-XXX |
| Check : | Daniel | NingBo KLS ELECTRONIC CO.,L TD. |
| Date | 2020-03-02 | |
| TOLERANCE | ±0.20 | |