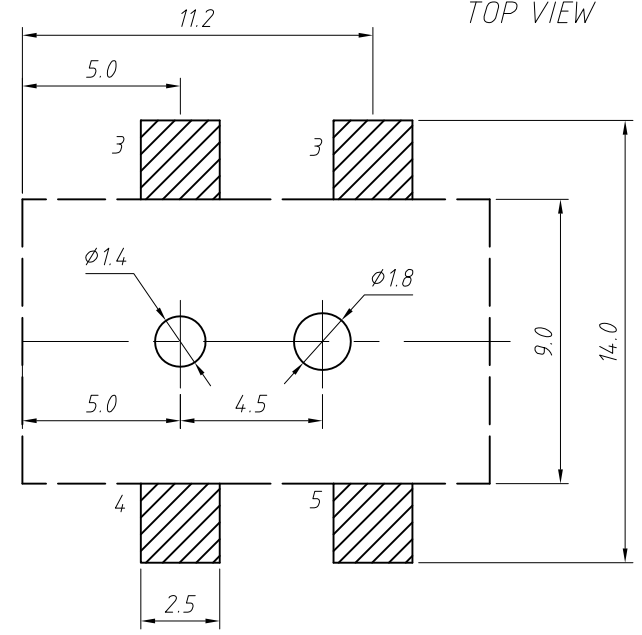
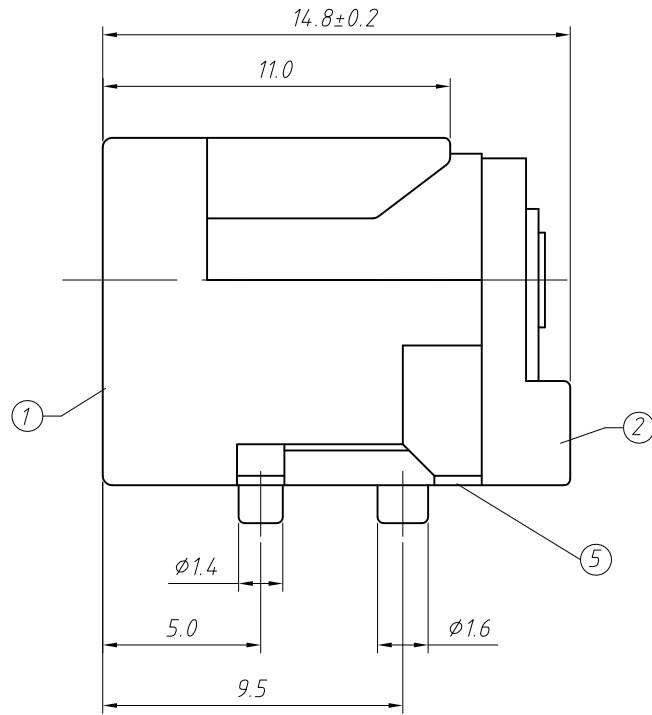
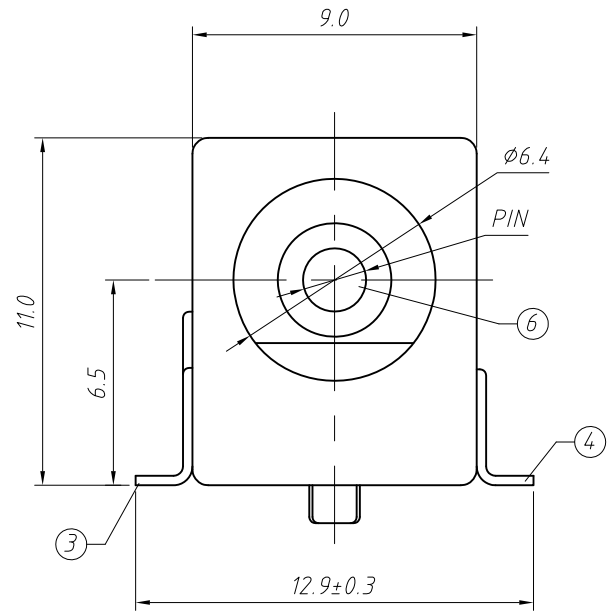


1 2 3 4 5 6 7 8

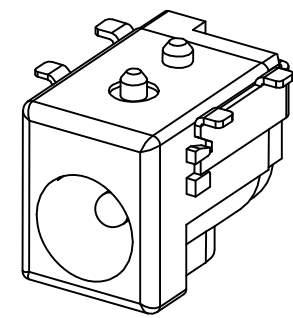
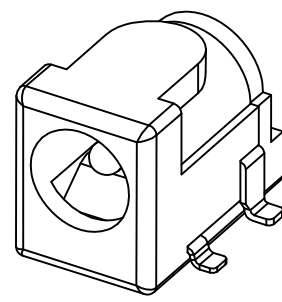
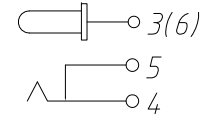
A B C D E F G H

PCB LAYOUT
TOP VIEW



SCHEMATIC

PIN	$\phi 2.0$	$\phi 2.5$
APPD		



SPECIFICATION

Rated Load: DC 30V 0.5A
 Contact resistance: 30m Ω , max
 Insulation resistance: 100M Ω , min
 Withstand Voltage: AC500V
 Actuating Force: 3-20N
 Life: 5000 cycles
 Operating Temperature: -30°C-70°C

NO.	Description	QTY	Material	Plating
1	Housing	1	PA9T	---
2	Cover	1	PA9T	---
3	Curve Piece	1	H62 Brass	Ag-Plating
4	Spring	1	Bronze	Ag-Plating
5	Curve Piece	1	H62 Brass	Ag-Plating
6	PIN	1	H59 Brass	Ni-Plating

GENERAL TOLERANCE	PROJECTION		Description:
X. ± 0.50	UNITS	mm	DC POWER Jack SMT HORIZONTAL
.X ± 0.25	SCALE	1:1	
.XX ± 0.10	Draw by:	Jenny	KLS P/N: L-KLS1-TDC-001
ANGLE TOLERANCE	Check by:		NingBo KLS ELECTRONIC CO.,L TD.
X. $\pm 5^\circ$	Date	2019-03-01	
.X $\pm 3^\circ$	SHEET	1 OF 1	

1 2 3 4 5 6 7 8