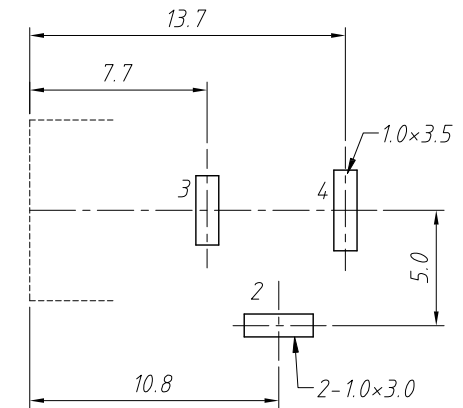
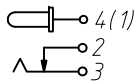


PCB Layout Top View



SCHEMATIC



SPECIFICATION

Rated Load:DC 30V 6A

Contact resistance:30mΩ, max

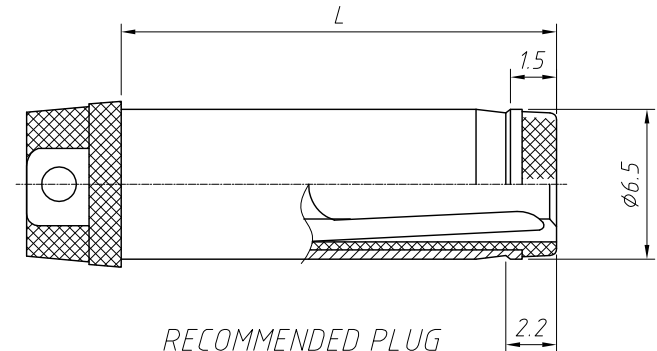
Insulation resistance:100MΩ, min

Withstand Voltage:AC500V

Actuating Force:3-20N

Life:5000 cycles

Operating Temperature:-30°C-70°C



RECOMMENDED PLUG

NO.	Description	QTY	Material	Plating
6	Cover	1	PBT	---
5	Housing	1	PBT	---
4	Flat Piece	1	Brass	Ag-Plating
3	Spring	1	Bronze	Ag-Plating
2	Curve Piece	1	Brass	Ag-Plating
1	PIN	1	Brass	Ni-Plating

GENERAL TOLERANCE	PROJECTION		Description:
.X ±0.50	UNITS	mm	30V 6A DC Jack DIP
.X ±0.25	SCALE	1:1	
.XX ±0.10	Draw by:	Jenny	
ANGLE TOLERANCE	Check by:		KLS P/N: L-KLS1-MDC-013
.X ±5°	Date	2019-03-01	NingBo KLS ELECTRONIC CO.,L TD.
.X ±3°	SHEET	1 OF 1	
.XX ±2°			