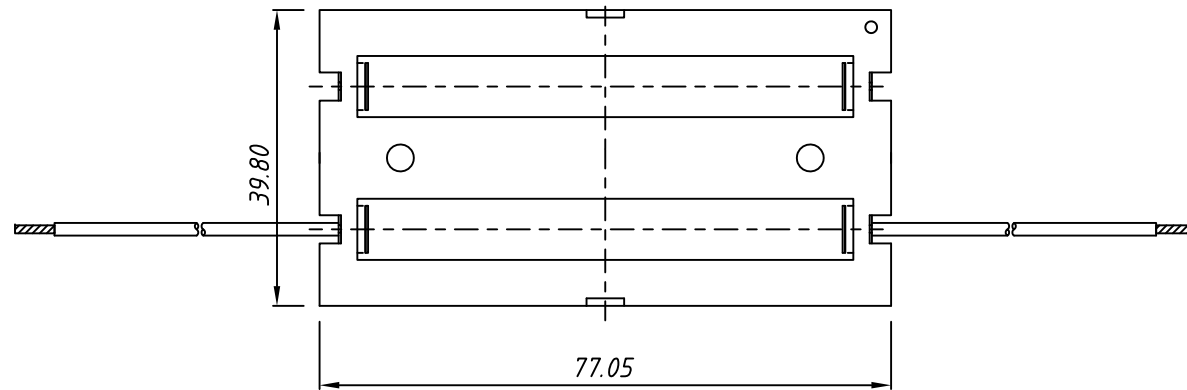
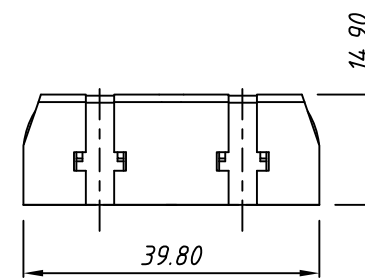
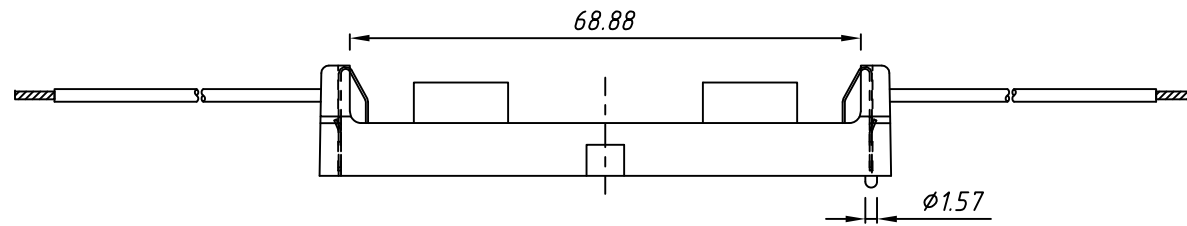
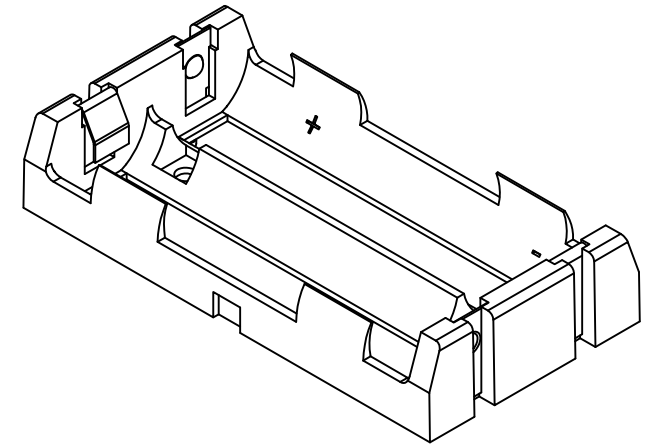
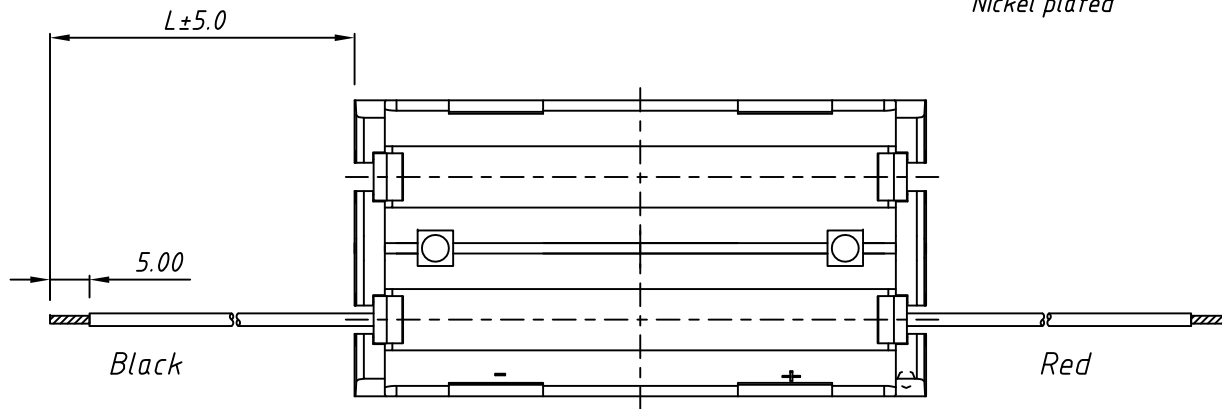


1 RoHS Compliant

MATERIAL

Insulator: Nylon 66,Black,UL 94 V-0


Contact: 0.35 Phosphor Bronze,
Nickel plated



ORDER INFORMATION:

L - KLS5 - 18650 - 015 - B LXXX

RoHS
2 Li-ion 18650 Battery Holder
B : with Wire (22AWG)
Cable long:

GENERAL TOLERANCE	±0.50	PROJECTION	Description:	2 Li-ion 18650 Battery Holder,with Wire
		UNITS		
Angle TOLERANCE	±3°	SHEET SIZE	A4	
		KLS P/N:		L-KLS5-18650-015-BLXXX
Draw:	Daniel		NingBo KLS ELECTRONIC CO.,L TD.	
Check:	Daniel			
Data:	2019-03-08			