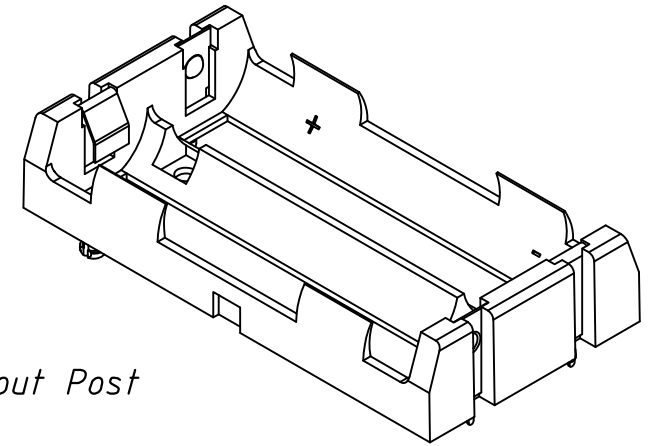
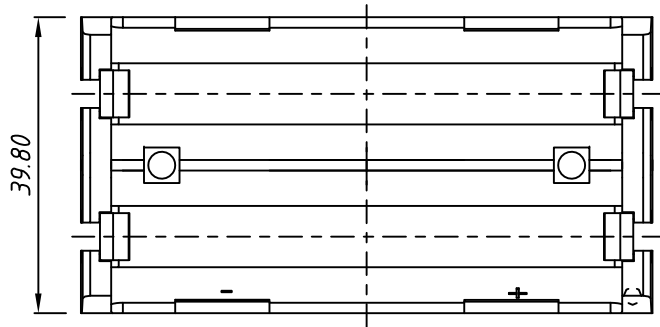
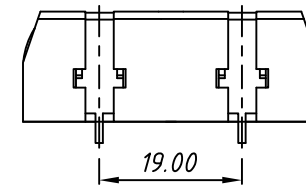
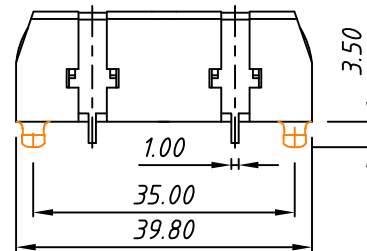
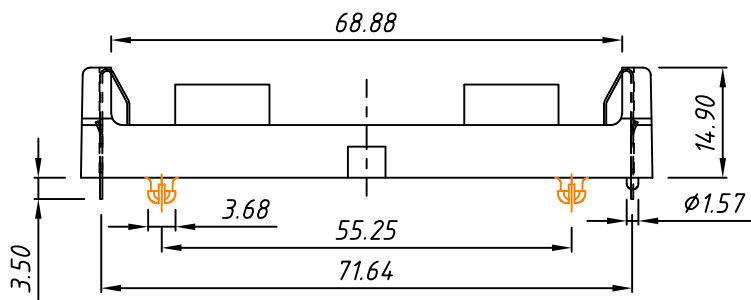


RoHS Compliant



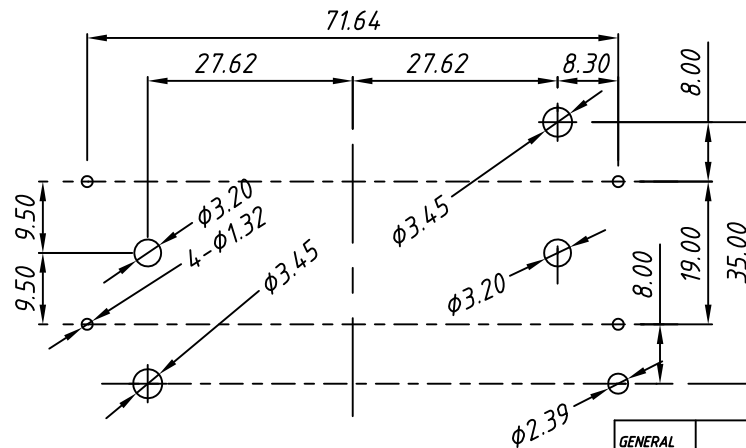
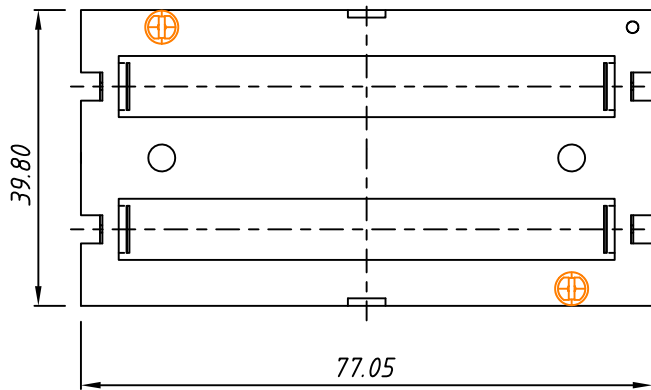
With Post

Without Post



MATERIAL

Insulator: Nylon 66,Black,UL94V-0
Contact: 0.35 Phosphor Bronze, Nickel plated



RECOMMENDED PCB LAYOUT
TOLERANCE: ± 0.05

ORDER INFORMATION:

L - KLS5 - 18650 - 011 - D X

RoHS
2 Li-ion 18650 Battery Holder
D: with PC Pin
Post: 0- without Post
1- with Post

GENERAL TOLERANCE	± 0.50	PROJECTION		Description:	2 Li-ion 18650 Battery Holder, with PC Pin
Angle TOLERANCE	$\pm 3^\circ$	UNITS	mm		
		SHEET SIZE	A4		
		KLS P/N:			L-KLS5-18650-011-D X
Draw:	Daniel		NingBo KLS ELECTRONIC CO.,L TD.		
Check:	Daniel				
Data:	2019-03-08				