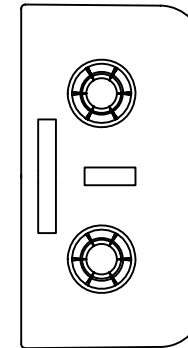
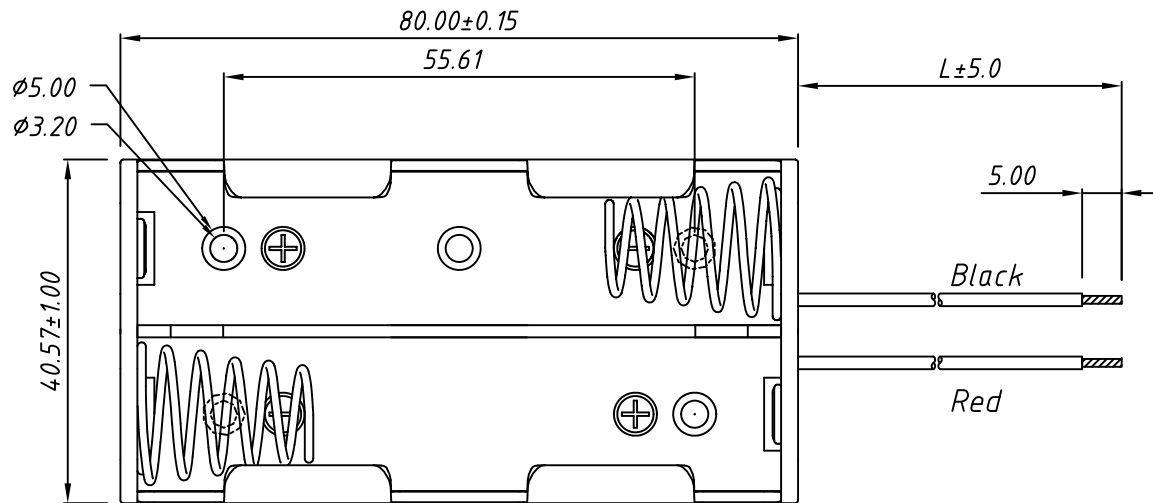
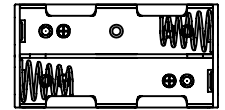


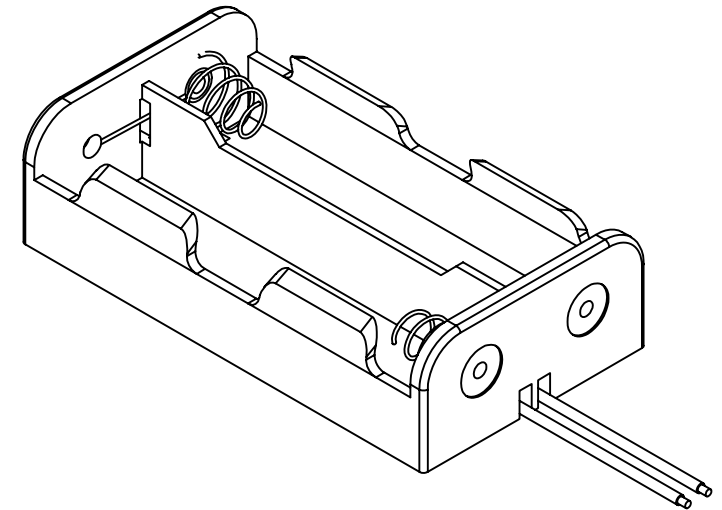
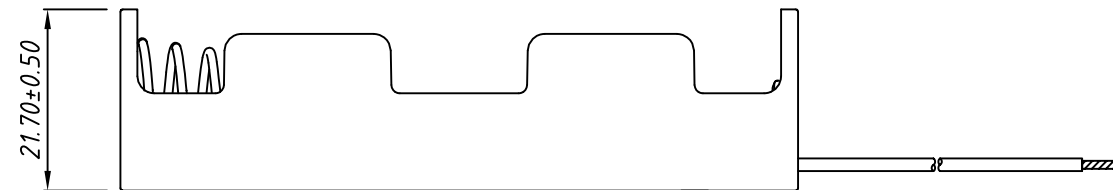
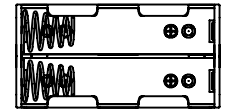
1 RoHS Compliant



Series connection



Parallel connection

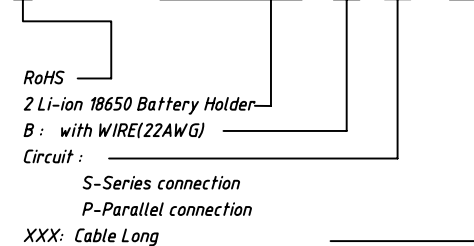



MATERIAL

Insulator: PP,Black,UL 94HB
 Contact: 0.8×1.0mm, 65C Steel
 Spring,Nickel plated
 WIRE: 22AWG,Red/Black PVC
 Rivet: Brass,Nickel plated
 Temperature Range:-10°C ~ +80°C

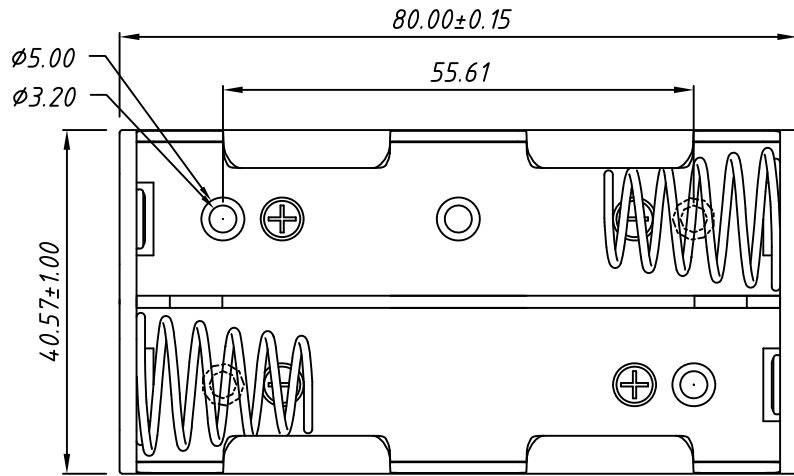
ORDER INFORMATION:

L - KLS5 - 18650-007- B X LXXX



GENERAL TOLERANCE	±0.50	PROJECTION	Description:	2 Li-ion 18650 Battery Holder,with Wire
		UNITS		
Angle TOLERANCE	±3°	SHEET SIZE	A4	
		KLS P/N:		L-KLS5-18650-007-BLXXX
Draw:	Daniel	 NingBo KLS ELECTRONIC CO.,L TD.		
Check:	Daniel			
Data:	2019-03-08			

RoHS Compliant



MATERIAL

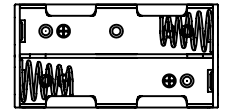
Insulator: PP,Black,UL94HB
 Contact: 0.8×1.0mm, 65C Steel Spring, Nickel plated
 PC Pin: φ0.8×28mm,Brass, Nickel plated
 Rivet: Brass,Nickel plated
 Temperature Range:-10°C~+80°C

ORDER INFORMATION:

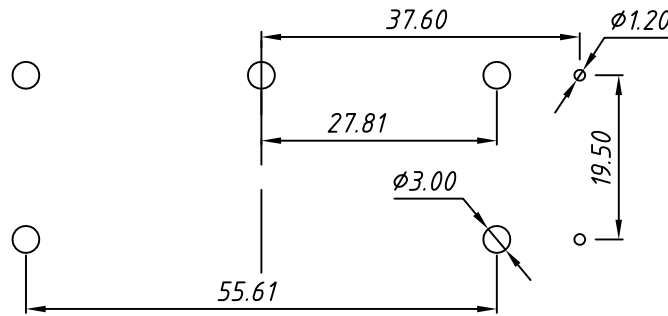
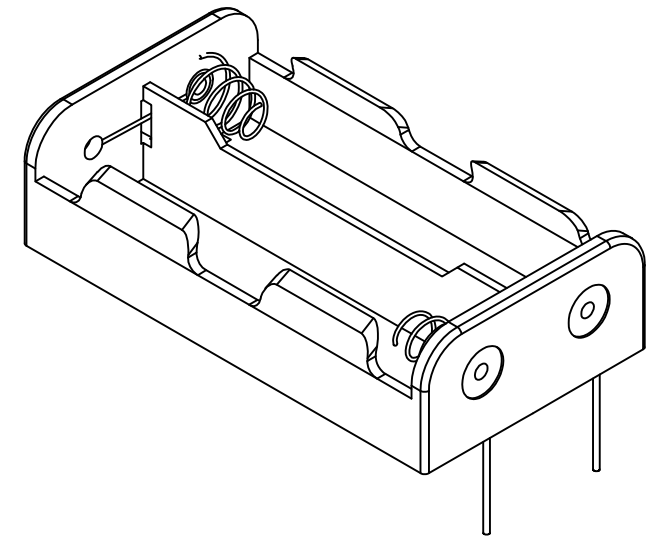
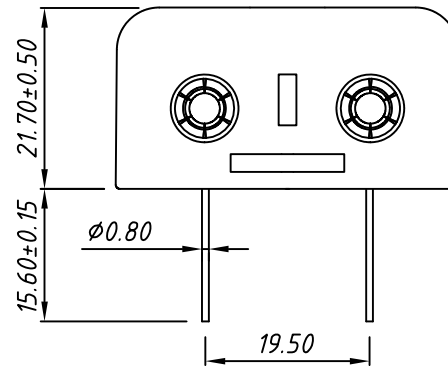
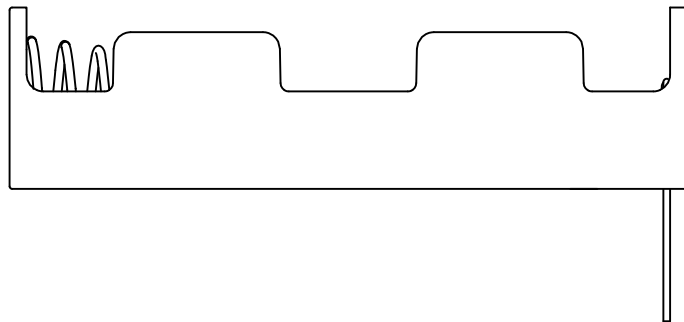
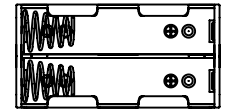
L- KLS5 - 18650 - 007 - D X

RoHS
 2 Li-ion 18650 Battery Holder
 D : with PC Pin
 Circuit :
 S-Series connection
 P-Parallel connection

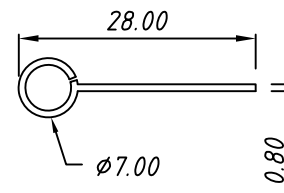
Series connection




Parallel connection



RECOMMENDED PCB LAYOUT
 TOLERANCE:±0.05



PC Pin

GENERAL TOLERANCE	±0.50	PROJECTION	Description: 2 Li-ion 18650 Battery Holder,with PC Pin
		UNITS	
Angle TOLERANCE	±3°	SHEET SIZE	A4
		KLS P/N: L-KLS5-18650-007-D	
Draw:	Daniel	 NingBo KLS ELECTRONIC CO.,L TD.	
Check:	Daniel		
Data:	2019-03-08		