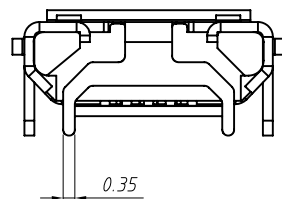
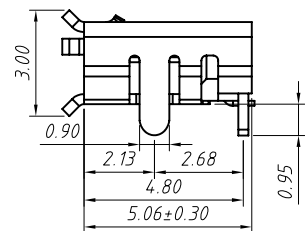
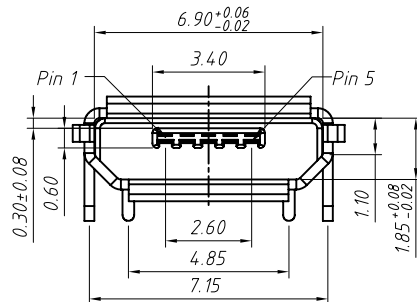
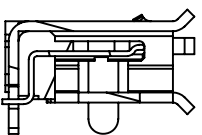


Material:
 Housing: High temperature thermoplastic with G.F, UL 94V-0
 Contact: copper alloy, t=0.20mm
 Shell: copper ally, t=0.25mm

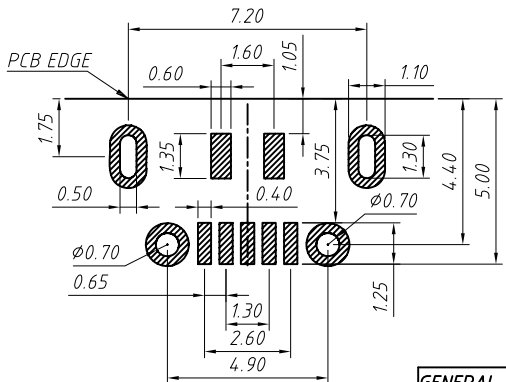
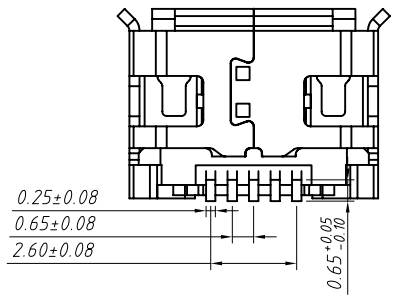
Specification:
 Current rating: 1 A Max.
 Dielectric withstanding voltage: 100V(ac) for 1min.
 Contact resistance: 50mΩ Max.
 Total unmating force: 1.0 kgf Min.
 Temperature rating: -30°C ~ +80°C



Order Information

L-KLS1- 238 - 0 - 0 - 0 - R

RoHS —
 Micro USB Female —
 Terminal Plated: —
 0-Gold plated
 1-Tin plated
 Packing: T-Tube —
 R-Tape on Reel



RECOMMENDED PCB LAYOUT

| GENERAL TOLERANCE | PROJECTION | | Description: |
|-------------------|------------|------------|---------------------------------|
| X. ±0.50 | UNITS | mm | CONN RCPT 5POS MICRO USB SMD |
| .X ±0.25 | SCALE | 1:1 | |
| .XX ±0.10 | Draw by: | Jenny | KLS P/N: L-KLS1-238-0-X-0-X |
| ANGLE TOLERANCE | Check by: | | NingBo KLS ELECTRONIC CO.,L TD. |
| X. ±5° | Date | 2018-03-01 | |
| .X ±3° | SHEET | 1 OF 1 | |
| .XX ±2° | | | |