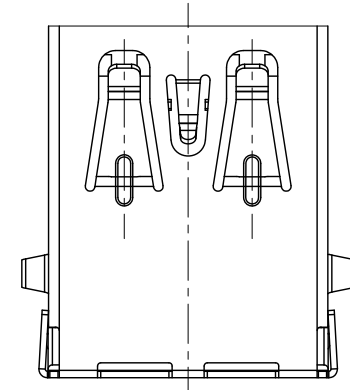
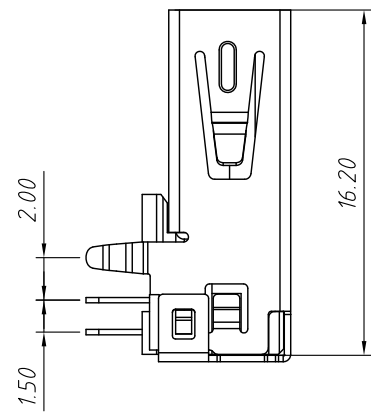
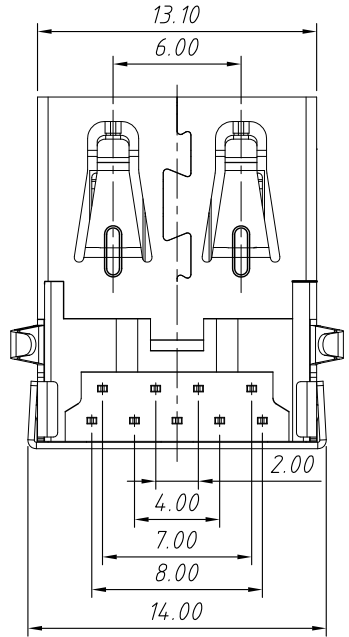
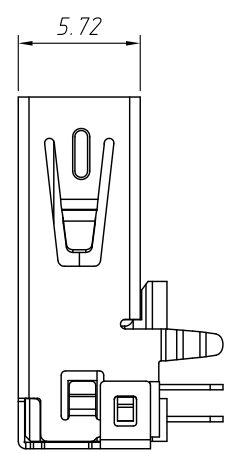


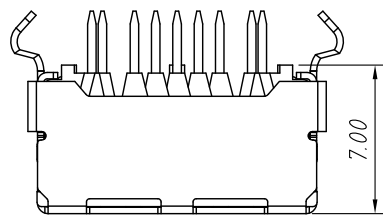
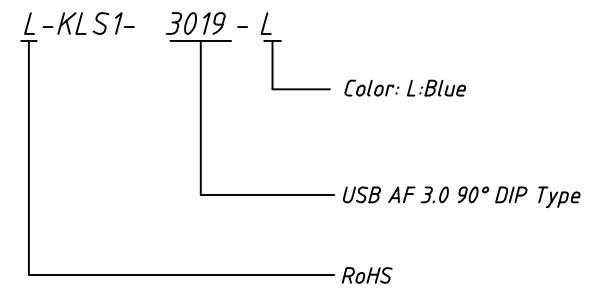
Material
 Housing: PBT+30%GF,UL 94V-0
 Shell :Brass C2680 T=0.30mm ,Plated Nickel
 Terminal :Phosphor Bronze C5191 T=0.25mm
 ,Plated Gold/Tin

Electrical
 Voltage Current Rating:2AMP,30V AC
 Insulator Resistance: 100M Ω Min
 Contact Resistance: 50m Ω Max
 Withstanding Voltage: 300V AC

Mechanical
 Operating Temperature:-55 $^{\circ}$ C TO +85 $^{\circ}$ C.
 Mating Force: 35N MAX
 Unmating Force: 10N MIN.




Order Information



GENERAL TOLERANCE		ANGLE TOLERANCE		PROJECTION		Description:	
.X	± 0.60	.X	$\pm 5^{\circ}$	UNITS	mm	USB 3.0 Type A Female CONN,R/A	
.X	± 0.38	.X	$\pm 3^{\circ}$	SHEET SIZE	A4		
.XX	± 0.25	.XX	$\pm 2^{\circ}$		KLS P/N:		

Draw by: Date	2018-03-01		
Check by: Date	2018-03-01		
SCALE	SHEET	OF	



NingBo KLS ELECTRONIC CO.,LTD.