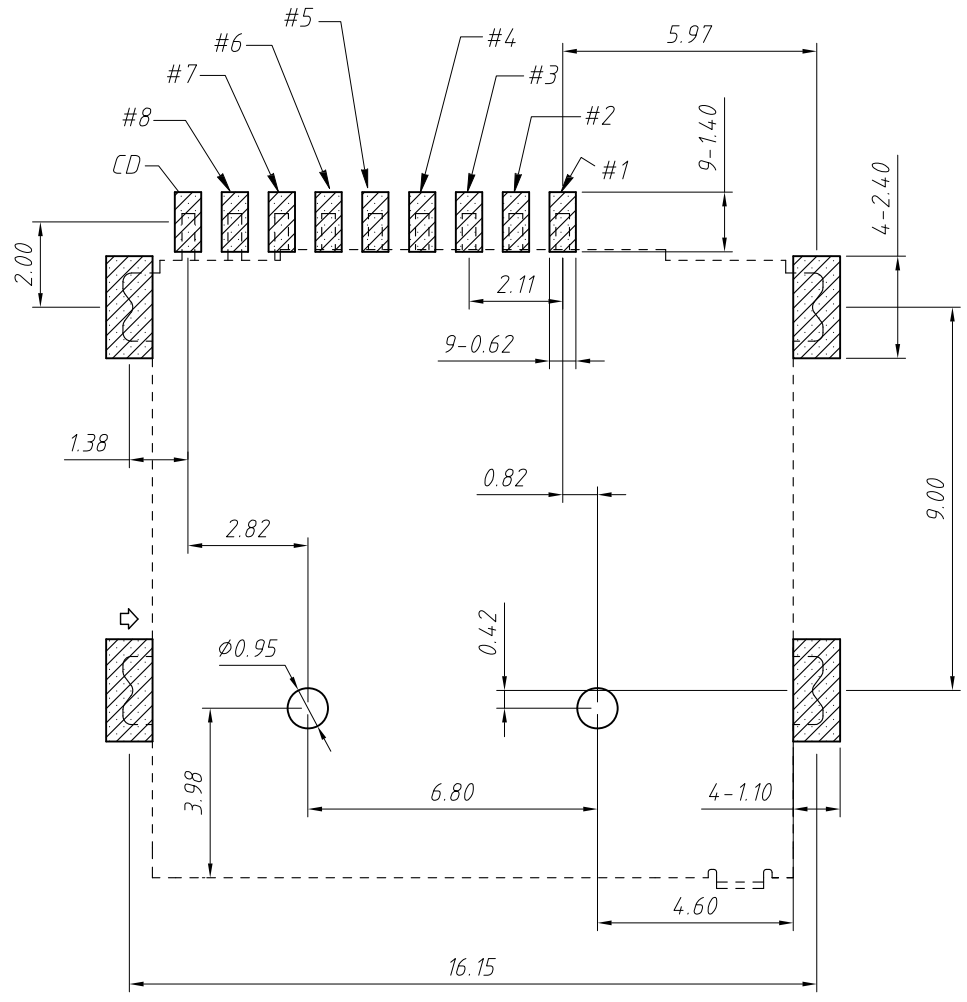


GENERAL TOLERANCE	ANGLE TOLERANCE	PROJECTION	Description:
X. ±0.15	X. ±5°	UNITS	Micro SD Card CONN;PUSH/
.X ±0.03	.X ±3°	SHEET SIZE	PUSH,H1.4mm,SMD with CD Pin
.XX ±0.05	.XX ±2°	KLS P/N:	L-KLS1-TF-012-9P-H1.4-R

Draw by:	Jenny	Date:	2018-03-10
Check by:		Date:	2018-03-10
SCALE		SHEET	1 OF 1

**KLS** NingBo KLS ELECTRONIC CO.,L TD.

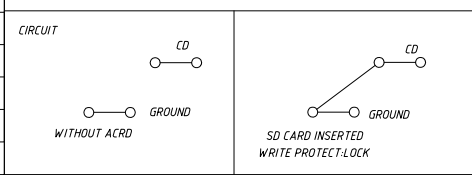



 PCB AREA  
 CONTACT AREA  
RECOMMENDED PCB LAYOUT  
TOLERANCE ±0.05

**Material:**  
 Insulator: High Temperature Thermoplastic, UL94V-0.  
 Terminal: Copper Alloy, Plated 50u" Ni Overall. Plated Au Selective Contact Area Plated 100u" Sn Over Ni On Solder Area.  
 Shell: Plated 50u" Ni Overall. Plated Au Selective Contact Area

**Electrical:**  
 Current Rating: 0.5 A AC/DC max.  
 Voltage Rating: 125V AC/DC  
 Ambient Temperature Range: -25°C ~ +85°C  
 Storage Temperature Range: -25°C ~ +85°C  
 Ambient Humidity Range: 95% R.H. Max.  
 Contact Resistance: 100mΩ Max.  
 Insulation Resistance: 1000MΩ Min./500VDC  
 Mating Cycles: 5000-20000 Insertions.  
 Peak temperature: 260°C ±0.5°C

PIN NO.	PIN ASSIGNMENT
1 #	DAT2
2 #	CD/DAT3
3 #	CMD
4 #	VDD
5 #	CLK
6 #	VSS
7 #	DAT0
8 #	DAT1
9 #	CD



GENERAL TOLERANCE		ANGLE TOLERANCE		PROJECTION		Description:	
.X	±0.15	.X	±5°	UNITS		mm	Micro SD Card CONN; PUSH/ PUSH, H1.4mm, SMD with CD Pin L-KLS1-TF-012-9P-H1.4-R
.X	±0.03	.X	±3°	SHEET SIZE		A4	
.XX	±0.05	.XX	±2°		KLS P/N:		

Draw by: Jenny Date: 2018-03-10  
 Check by: Date: 2018-03-10  
 SCALE SHEET 1 OF 1

 NingBo KLS ELECTRONIC CO., LTD.