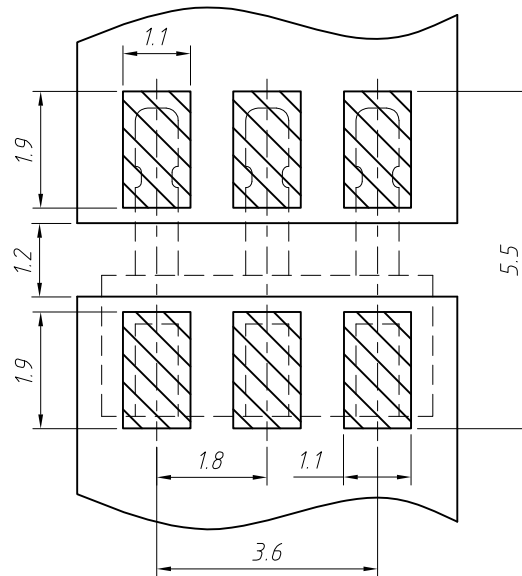
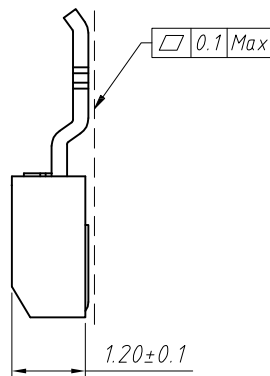
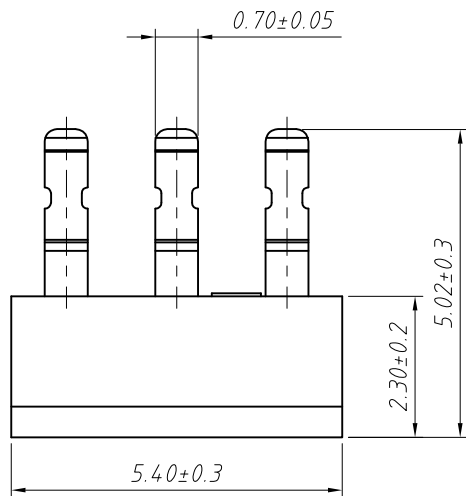




1 RoHS Compliant

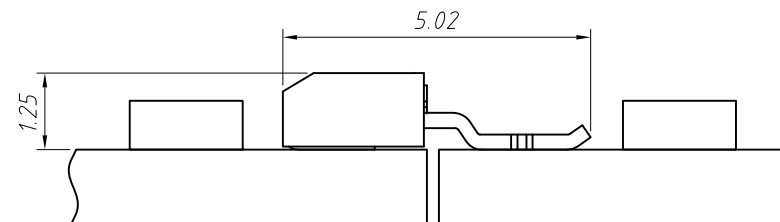
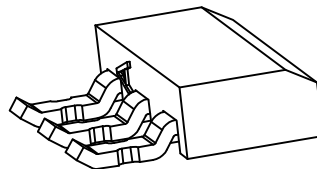
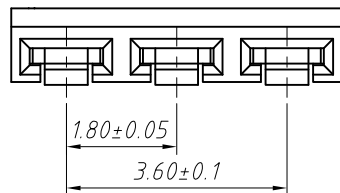


Board Layout

MATERIAL  
 Insulator: LCP, UL 94V-0, Beige  
 Contacts: Phosphor Bronze, Tin-plated

Main Specifications  
 Poles: 03P  
 Contact Resistance:  $\leq 20m\Omega$   
 Insulation Resistance:  $\geq 1000M\Omega$   
 Rated Voltage: 125V AC DC  
 Rated Current: 1.0A AC DC  
 Withstanding Voltage: 1000V AC/minute  
 Temperature Range:  $-25^{\circ}C \sim +105^{\circ}C$

Order Information  
 L-KLS2- L55-03P  
 └── Number of Poles  
 └── Series No.  
 └── RoHS



Assembly Layout

GENERAL TOLERANCE		ANGLE TOLERANCE		PROJECTION	Description:	
X	$\pm 0.15$	X	$\pm 5^{\circ}$	UNITS		EDGE Connector for LED Lighting, Pitch 1.80mm L-KLS2-L55-03P
.X	$\pm 0.03$	.X	$\pm 3^{\circ}$	SHEET SIZE	A4	
.XX	$\pm 0.05$	.XX	$\pm 2^{\circ}$	KLS P/N:		

Draw by:	Jenny	Date:	2018-03-10
Check by:		Date:	2018-03-10
SCALE		SHEET	1 OF 1

**KLS** NingBo KLS ELECTRONIC CO.,LTD.

