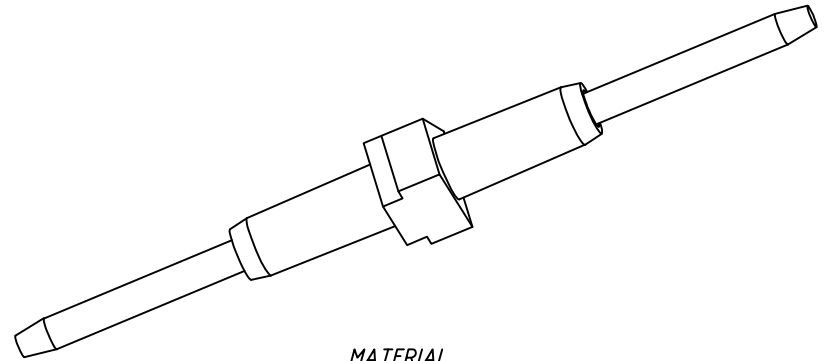
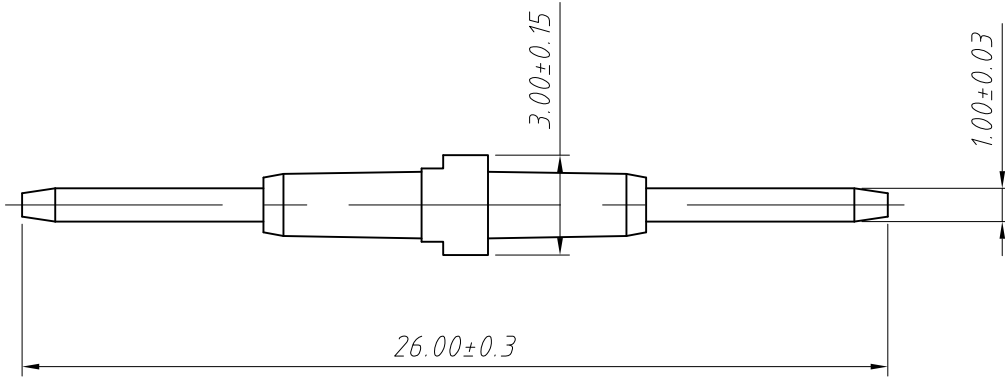
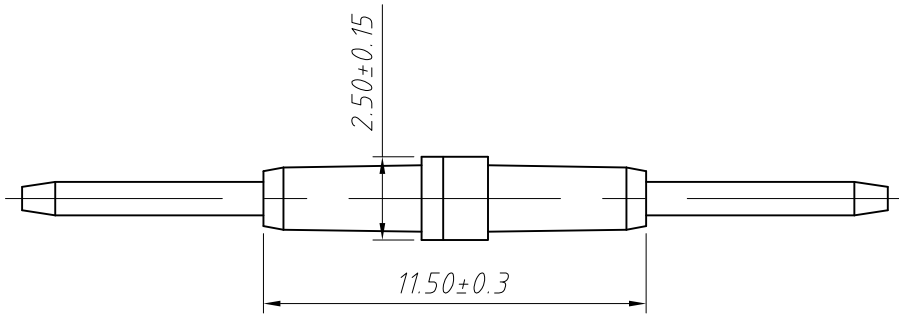


1
RoHS Compliant



MATERIAL

Insulator:PA46,UL 94 V-0,Beige

Contacts:Brass,Ni-plated

Main Specifications

Poles:01P

Contact Resistance: $\leq 20m\Omega$

Insulation Resistance: $\geq 800M\Omega$

Rated Voltage:250V AC DC

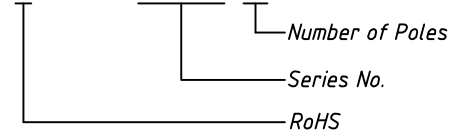
Rated Current:6.0A AC DC

Withstanding Voltage:800V AC/minute

Temperature Range: $-25^{\circ}C \sim +85^{\circ}C$

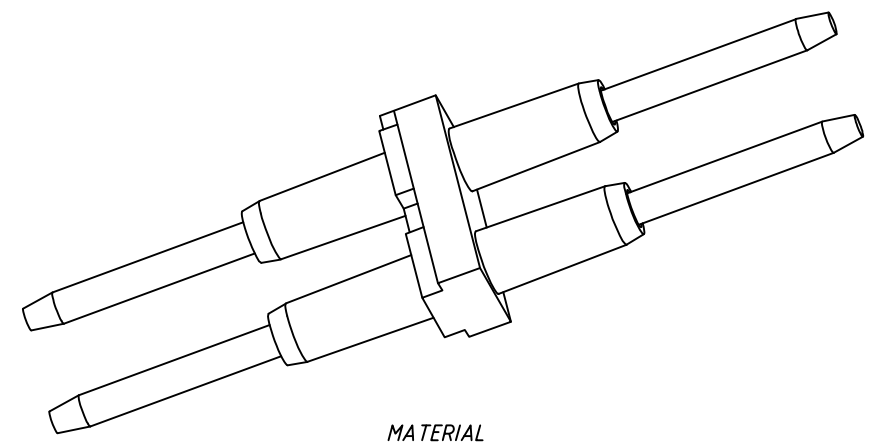
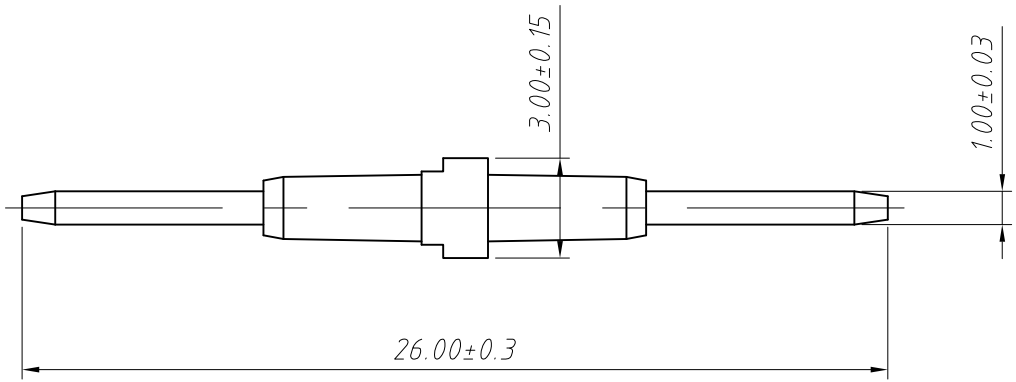
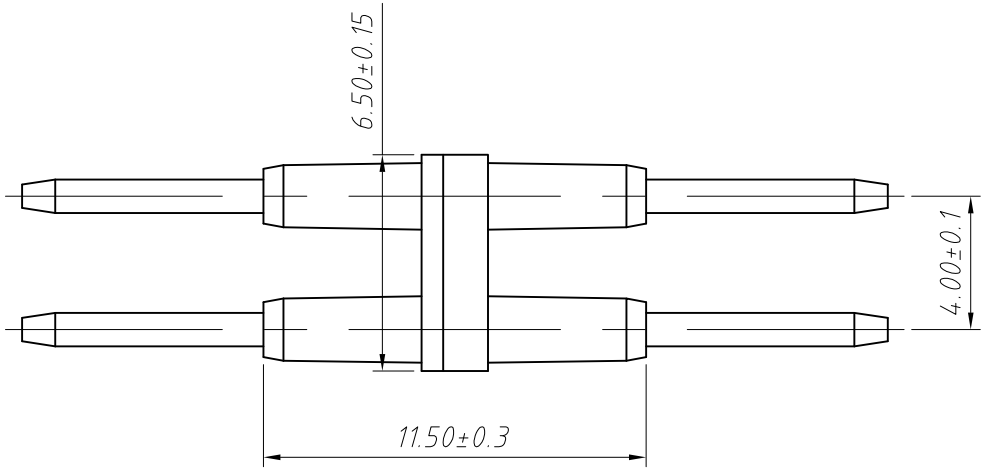
Order Information

L-KLS2-L13PIN- 1



GENERAL TOLERANCE		ANGLE TOLERANCE		PROJECTION		Description:
.X	± 0.15	.X	$\pm 5^{\circ}$	UNITS	mm	Board to Board Link, Pitch 4.0mm
.X	± 0.03	.X	$\pm 3^{\circ}$	SHEET SIZE	A4	
.XX	± 0.05	.XX	$\pm 2^{\circ}$	KLS P/N:	L-KLS2-L13PIN-1	
Draw by:	Jenny	Date:	2018-03-10			NingBo KLS ELECTRONIC CO.,LTD.
Check by:		Date:	2018-03-10			
SCALE		SHEET	1 OF 1			

1
RoHS Compliant



MATERIAL
Insulator:PA46,UL 94V-0,Beige
Contacts:Brass,Ni-plated

Main Specifications
Poles:02P
Contact Resistance:≤20mΩ
Insulation Resistance:≥800MΩ
Rated Voltage:250V AC DC
Rated Current:6.0A AC DC
Withstanding Voltage:800V AC/minute
Temperature Range: -25 °C ~ +85 °C

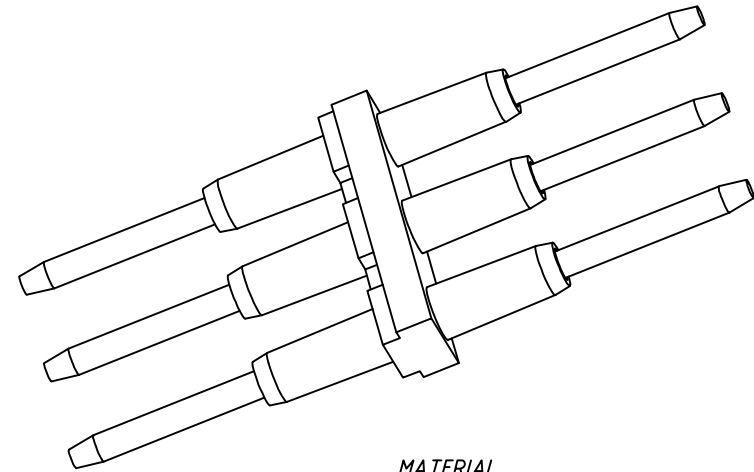
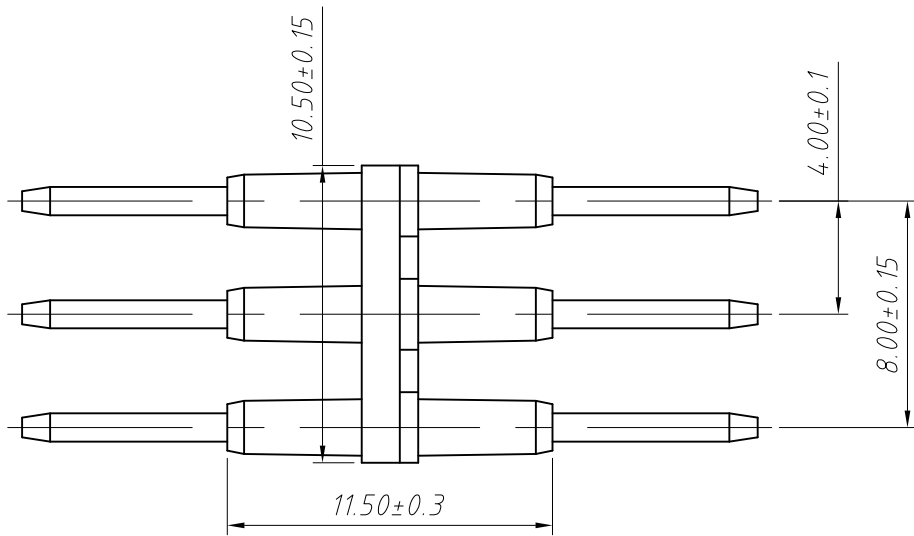
Order Information
L-KLS2-L13PIN- 2
Number of Poles
Series No.
RoHS

GENERAL TOLERANCE		ANGLE TOLERANCE		PROJECTION	Description:
X. ±0.15		X. ±5°		UNITS	Board to Board Link, Pitch 4.0mm
.X ±0.03		.X ±3°		SHEET SIZE	
.XX ±0.05		.XX ±2°		KLS P/N:	

Draw by:	Jenny	Date:	2018-03-10
Check by:		Date:	2018-03-10
SCALE		SHEET	1 OF 1

KLS NingBo KLS ELECTRONIC CO.,LTD.

1 RoHS Compliant



MATERIAL

Insulator:PA46,UL 94 V-0,Beige

Contacts:Brass,Ni-plated

Main Specifications

Poles:03P

Contact Resistance: $\leq 20m\Omega$

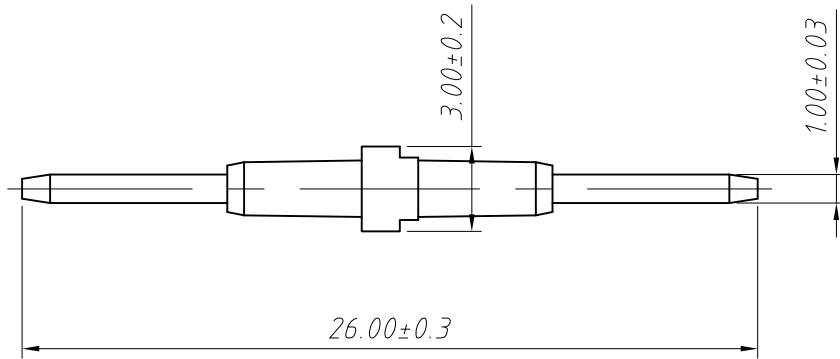
Insulation Resistance: $\geq 800M\Omega$

Rated Voltage:250V AC DC

Rated Current:6.0A AC DC

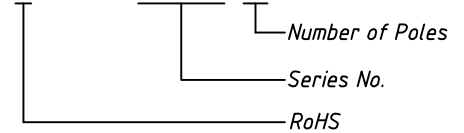
Withstanding Voltage:800V AC/minute

Temperature Range: $-25^{\circ}C \sim +85^{\circ}C$



Order Information

L-KLS2-L13PIN-3



GENERAL TOLERANCE		ANGLE TOLERANCE		PROJECTION		Description:	
X. ± 0.15		X. $\pm 5^{\circ}$		UNITS		mm	Board to Board Link, Pitch 4.0mm
.X ± 0.03		.X $\pm 3^{\circ}$		SHEET SIZE		A4	
.XX ± 0.05		.XX $\pm 2^{\circ}$			KLS P/N:	L-KLS2-L13PIN-3	
Draw by:	Jenny	Date:	2018-03-10			NingBo KLS ELECTRONIC CO.,L TD.	
Check by:		Date:	2018-03-10				
SCALE		SHEET	1 OF 1				