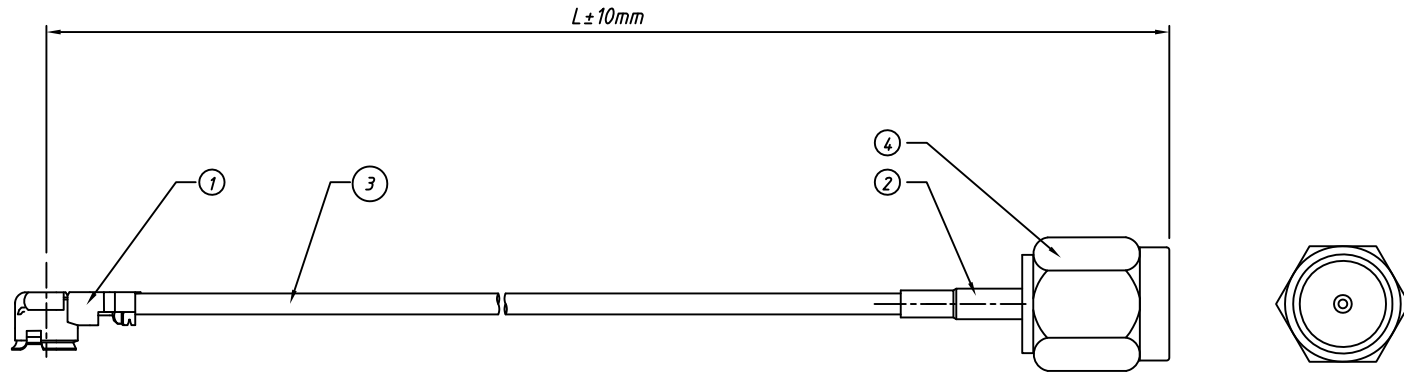


RoHS compliant

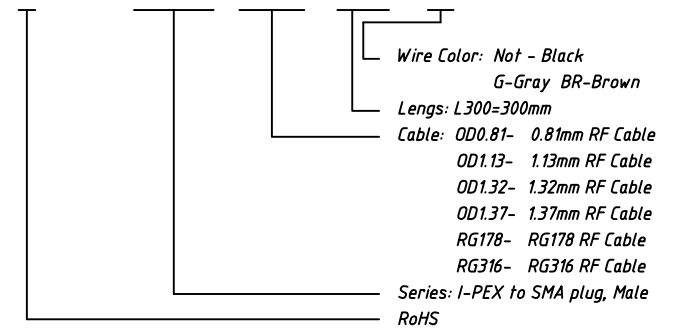


**Note:**

- 1: V.S.W.R: 1.5(0~3G), Max.
- 2: Wire surface shall have no dirt, broken.
- 3: Connector surface with coating, oxidation phenomenon.
- 4: Connector pins and insulator are in the same plane

**Order Information**

L- KLS1- RFCA11 - OD1.13 - L300 / X



|     |                  |   |       |      |
|-----|------------------|---|-------|------|
| 4   | Connector        | SMA plug, Male Straight, for RG178, RG316, 0.81, 1.13, 1.32, 1.37mm | PCS   | 1    |
| 3   | RF Cable         | RG178, RG316, 0.81, 1.13, 1.32, 1.37mm Cable                        | mm    | L    |
| 2   | Heat-Shrink Tube | φ1.0mm Heat-Shrink Tube, Block, L15mm                               | PCS   | 2    |
| 1   | Connetor         | I-PEX Plug, for RG178, RG316, 0.81, 1.13, 1.32, 1.37mm Cable        | PCS   | 1    |
| No. | Name             | Description   | UNITS | Q'ty |

|            |                   |                         |                                  |
|------------|-------------------|-------------------------|----------------------------------|
|            |                   | Description:            |                                  |
|            |                   | I-PEX to SMA Male Cable |                                  |
| PROJECTION |                   | KLS P/N:                | L-KLS1-RFCA11-xxxx               |
| UNITS      | mm                |                         |                                  |
| SHEET SIZE | A4                |                         |                                  |
| Draw:      | Daniel 2018-06-22 |                         | NingBo KLS ELECTRONIC CO., L TD. |
| Check:     | Daniel 2018-06-22 |                         |                                  |