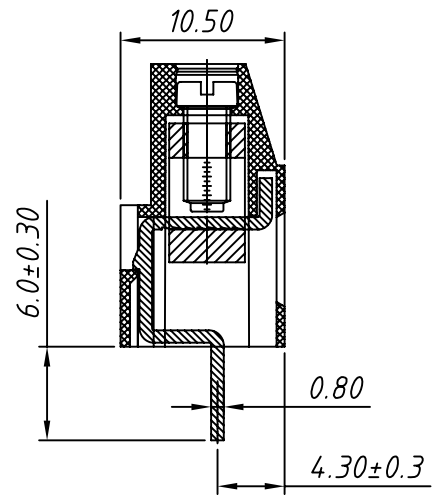
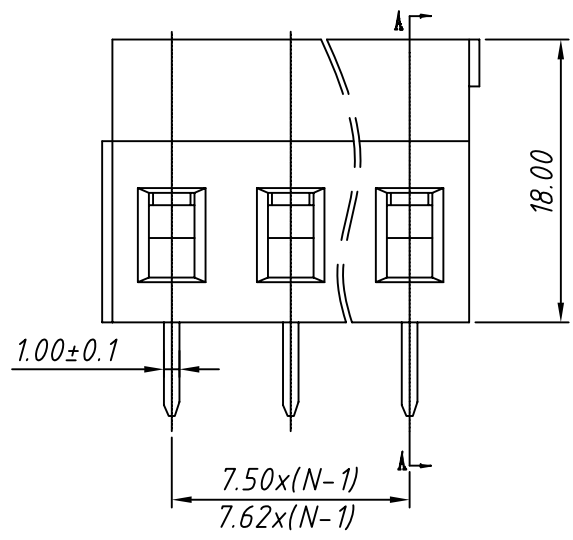


PCB LAYOUT



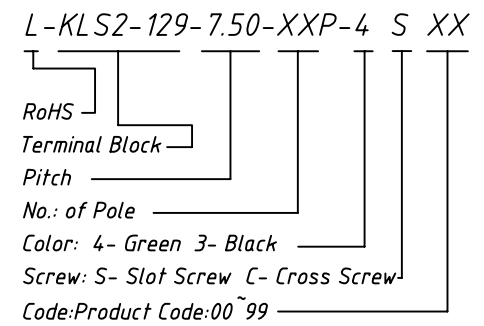
SECTION A-A

Material
 Screw: M3.0, steel, Zn plated
 Cage: Brass, Nickel plated
 Pin header: Brass, Tin plated
 Housing: PA66, UL94V-0, Green

Electrical
 Rated voltage: 300V
 Rated current: 20A
 Wire range: 24 ~ 10AWG 4mm²
 Contact Resistance: 20 mΩ
 Insulation resistance: 500MΩ/DC500V
 Withstand voltage: AC2000V / 1 min

Mechanical
 Temp. Range: -40 °C ~ +105 °C
 Soldering: 250 °C 5Sec. Max.
 Torque: 0.5 Nm (4.43 Lb.) in
 Strip length: 6 ~ 7 mm

Order Information



GENERAL TOLERANCE	ANGLE TOLERANCE	PROJECTION	Description:
X. ±0.60	X. ±5°	UNITS	Screw CONN TERM BLOCK 7.50/7.62MM KLS2-129-7.50(7.62)-XXP-4S
.X ±0.38	.X ±3°	SHEET SIZE	
.XX ±0.25	.XX ±2°	KLS P/N:	

Draw by: Date	2015-09-01
Check by: Date	2015-09-15
SCALE	SHEET OF

KLS ELECTRONIC CO., LTD.