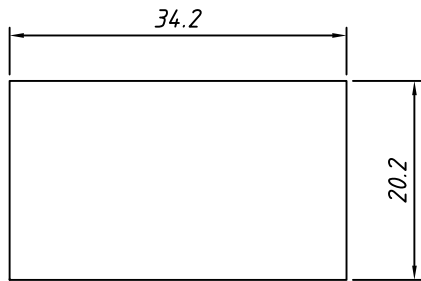
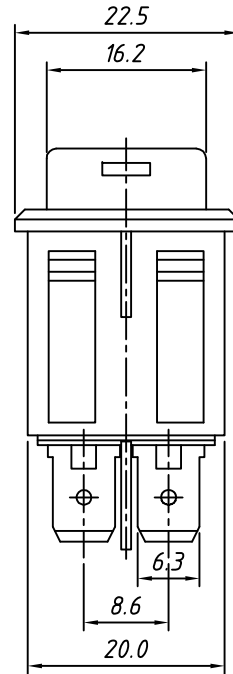
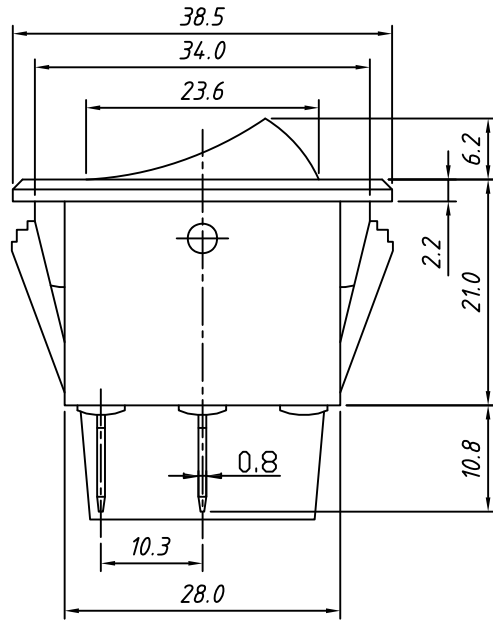
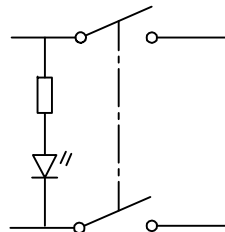


RoHS Compliant



Panel Mounting



Circuitry

Electrical
 Rated voltage/current: 35A 12V DC
 Contact Resistance: 50 m Ω
 Insulation resistance: 100MΩ/DC500V
 Withstand voltage: AC1500V / 1 min
 Temp. Range: -25 °C ~ +85 °C
 Life: 10000 cycles

Order Information

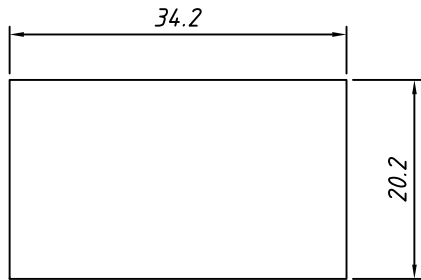
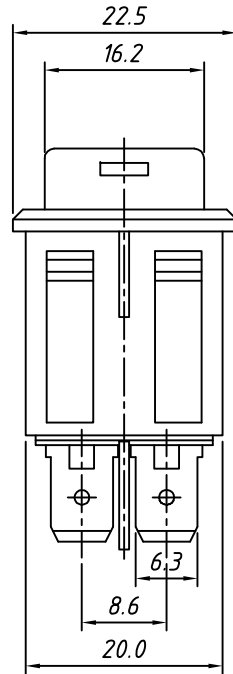
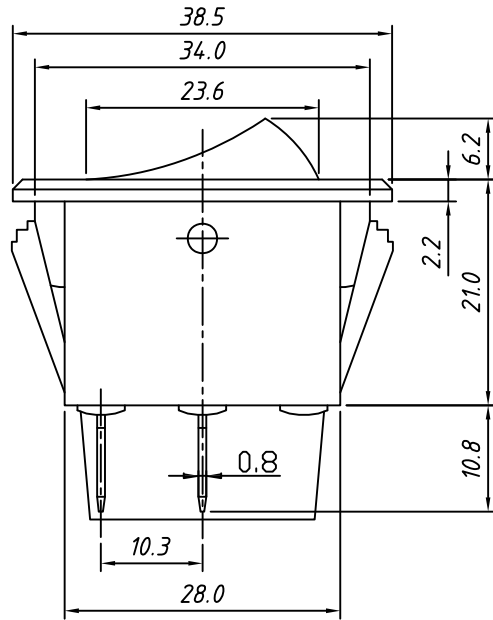
L-KLS7- AW017 -201 L B B

RoHS ———
 Automotive switch ———
 product ———
 Circuitry trait: ———
 201: ON-OFF ———
 Lamp Code: L- with LED lamp ———

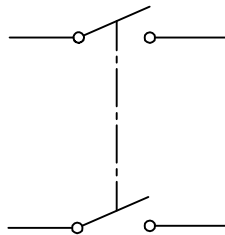
Cap color Code: ———
 B- Black ———
 Base color Code: ———
 B- Black ———

GENERAL TOLERANCE		ANGLE TOLERANCE		Description:	
X. ±0.60		X. ±5°		Automotive Switch	
.X ±0.38		.X ±3°		DPST 4P, with LED Lamp, ON-OFF	
.XX ±0.25		.XX ±2°		KLS P/N: KLS7-AW017-201LBB	
Draw by	2015-09-01	PROJECTION			NingBo KLS ELECTRONIC CO.,L TD.
Check by	2015-09-15	UNITS	mm		
SCALE		SHEET SIZE	A4		

RoHS Compliant



Panel Mounting



Circuitry

Electrical
 Rated voltage/current: 35A 12V DC
 Contact Resistance: 50 m Ω
 Insulation resistance: 100MΩ/DC500V
 Withstand voltage: AC1500V / 1 min
 Temp. Range: -25 °C ~ +85 °C
 Life: 10000 cycles

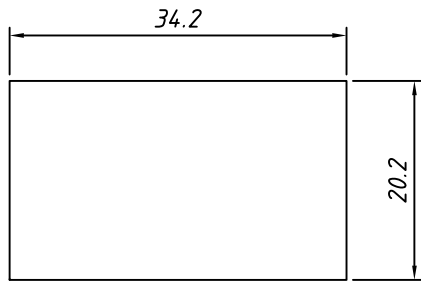
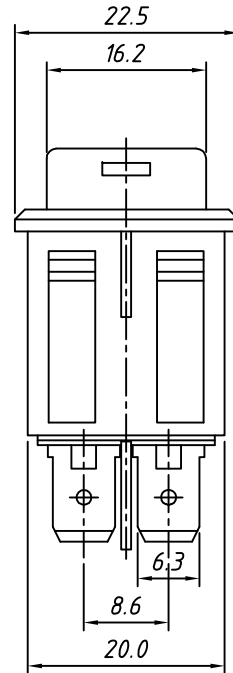
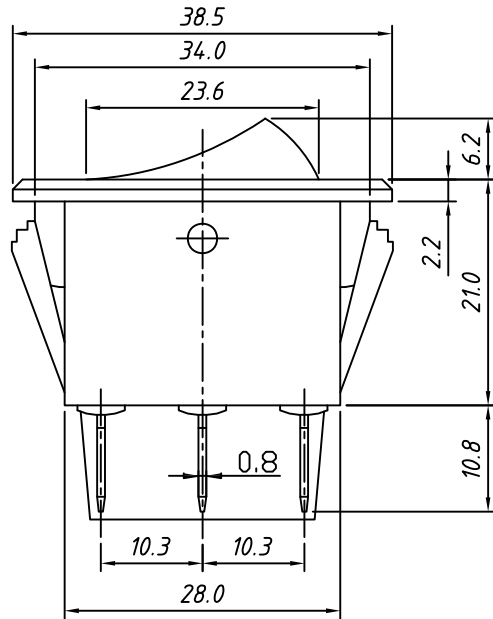
Order Information

L-KLS7- AW017 -201 0 B B

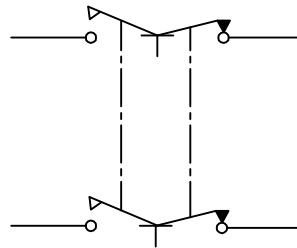
RoHS —
 Automotive switch —
 product —
 Circuitry trait: —
 201: ON-OFF —
 Lamp Code: 0- without lamp —
 Cap color Code: —
 B- Black —
 Base color Code: —
 B- Black —

GENERAL TOLERANCE		ANGLE TOLERANCE		Description:	Automotive Switch
X. ±0.60		X. ±5°		DPST 4P, without Lamp, ON-OFF	
.X ±0.38		.X ±3°		KLS P/N:	KLS7-AW017-2010BB
.XX ±0.25		.XX ±2°			
Draw by	2015-09-01	PROJECTION		NingBo KLS ELECTRONIC CO.,L TD.	
Check by	2015-09-15	UNITS	mm		
SCALE		SHEET SIZE	A4		

RoHS Compliant



Panel Mounting





Circuitry

Electrical
 Rated voltage/current: 35A 12V DC
 Contact Resistance: 50 mΩ
 Insulation resistance: 100MΩ/DC500V
 Withstand voltage: AC1500V / 1 min
 Temp. Range: -25 °C ~ +85 °C
 Life: 10000 cycles

Order Information

L-KLS7- AW017 -202 0 B B

RoHS —
 Automotive switch —
 product —
 Circuitry trait: —
 202: ON-ON —
 Lamp Code: 0- without lamp —
 Cap color Code: —
 B- Black —
 Base color Code: —
 B- Black —

GENERAL TOLERANCE		ANGLE TOLERANCE		Description:	Automotive Switch
X. ±0.60		X. ±5°		DPDT 6P, without Lamp, ON-ON	
.X ±0.38		.X ±3°		KLS P/N:	KLS7-AW017-2020BB
.XX ±0.25		.XX ±2°		 NingBo KLS ELECTRONIC CO.,L TD.	
Draw by	2015-09-01	PROJECTION			
Check by	2015-09-15	UNITS	mm		
SCALE		SHEET SIZE	A4		