

INDUCTORS

SMD Wound Ferrite Chip Beads SMB Series

FEATURES:

The SMB chips are our high performance wound chip beads. SMB chips are constructed with a wire wound structure and has a higher current capacity than multilayer chip beads. Mag. Layers' SMB chips have the high quality characteristics suitable for your design needs.

High Current Handling

SMB chips are able to withstand currents up to 6A DC.

Low DC Resistance

SMB chip beads have low DC resistance.

Multiple Size Availability

SMB chip beads are available in three sizes: 403025 and 853025.

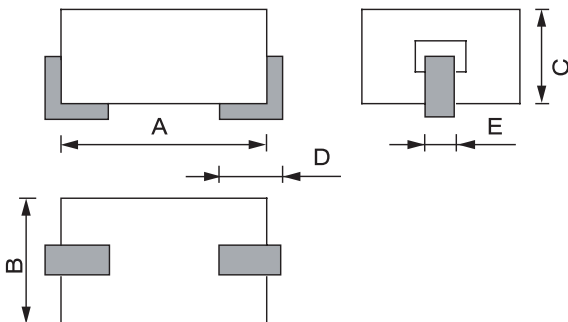


APPLICATIONS

SMB chip beads can be used in a variety of electronics including:

- * Computers
- * Computer Peripherals
- * OA products
- * VCRs
- * Cordless Telephones

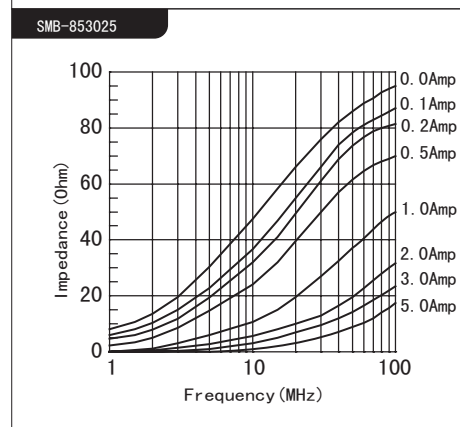
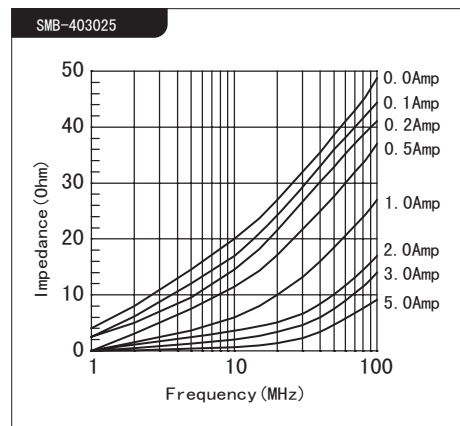
Dimension: Unit: mm



	SMB-403025	SMB-853025
A	4.00 ± 0.20	8.5 ± 0.30
B	3.10 ± 0.15	3.1 ± 0.15
C	2.54 ± 0.15	2.54 ± 0.15
D	1.50 ± 0.50	1.50 ± 0.50
E	1.25	1.25

PART NUMBER	IMPEDANCE (Ω) at 25 MHz	IMPEDANCE (Ω) at 100 MHz	RDC (mΩ) Max.
SMB 403025	30 ± 25%	47 ± 25%	0.6
SMB 853025	60 ± 25%	90 ± 25%	0.9

TYPICAL ELECTRICAL CHARACTERISTIC CURVES



ORDER INFORMATION

SMB 403025 M

SMB403025: Dimensions

M : Tolerance