

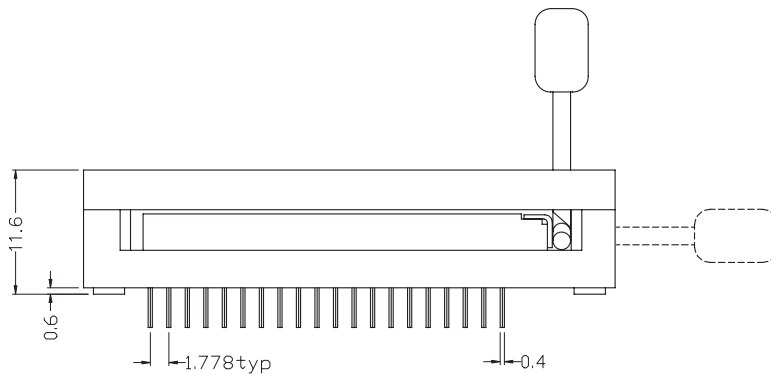
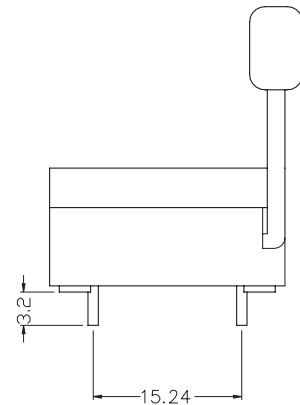
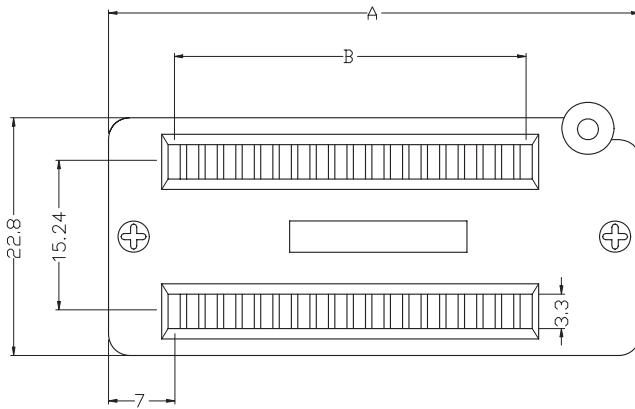
ZIF Socket Series

KLS1-108Y ZIF SOCKET PITCH 1.778mm

Materials :

Contact: copper alloy.
Insulator: Thermoplastic

- ELECTRICAL Specifications :**
Contact Rating: 50V DC, 100mA.
Contact Resistance: 50mΩ max.
Insulation Resistance: 1000M Min.
Dielectric strength: 500V DC min. for 60 seconds.
- MECHANICAL AND ENVIRONMENTAL**
Operating Temperature: -40°C ~ +105°C
Storage Temperature: -20°C ~ +70°C
Operating Life: 25,000 cycles
Humidity: 95%RH, 40°C for 96 Hrs.
Vibration: Per MIL-STD-202F, METHOD 201A
Solderability: After flux 230°C for 5 0 .5 Seconds, 95% coverage
Soldering Heat: 260 5 °C for 5 1 S econds



Dimension

Position	A	B
28	40.5	23.12
32	44.1	26.6
42	52.8	35.9
56	65.4	48
64	72.3	55.1

ORDER INFORMATION

Product No.: KLS1-108Y-XX

Pos. No. _____

SHRINK DIP SOCKET 1.778mm Series

Number of Contacts: XX=28-64Pin