

LED Push Button Switches

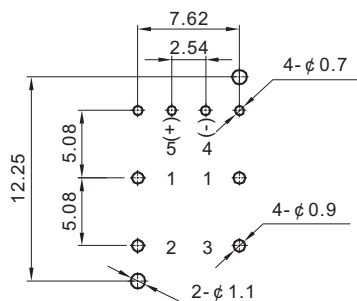
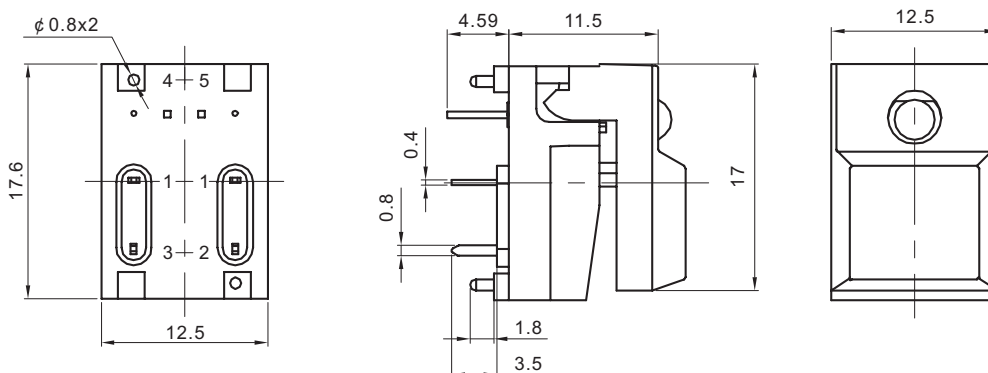
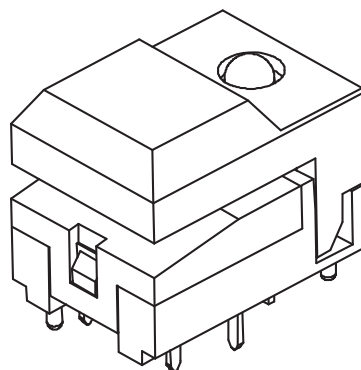
KLS7-MP86 LED Push Button Switch

Specifications

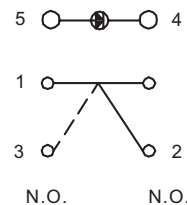
Circuit:SPDT
 Current rating:12mA
 Voltage rating:24VDC
 Dielectric withstanding voltage:250VAC for 1 minute
 Contact resistance:50mΩ Max. (Initial)
 Insulation resistance:100MΩ Min.
 Operating force:170±50gf
 Total travel:2.0mm±0.4mm
 Operating life:50,000 cycles Min.
 Solder specifications:256±5°C for 5 ±0.5 seconds
 Function:Momentary
 Operating:+10°C ~ +60°C

MATERIAL

Cap: ABS;
 Base:Nylon66, UL rated: 94V-2 Min.;
 Terminal: Phosphor bronze, Golden plated.



P.C.B. Layout



Circuit Diagram

ORDER INFORMATION

Product NO.: L-KLS7-MP86-A1-B-1

