

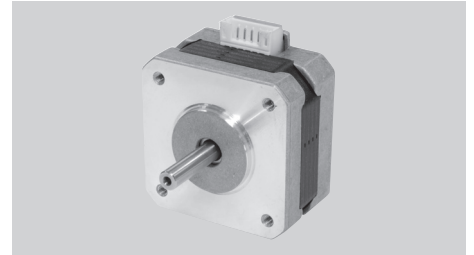


KLS ELECTRONIC CO.,LTD

KLS23-17HD SERIES 1.8°

Key Features

- High Torque
- Low Noise
- Small Size



General Specifications

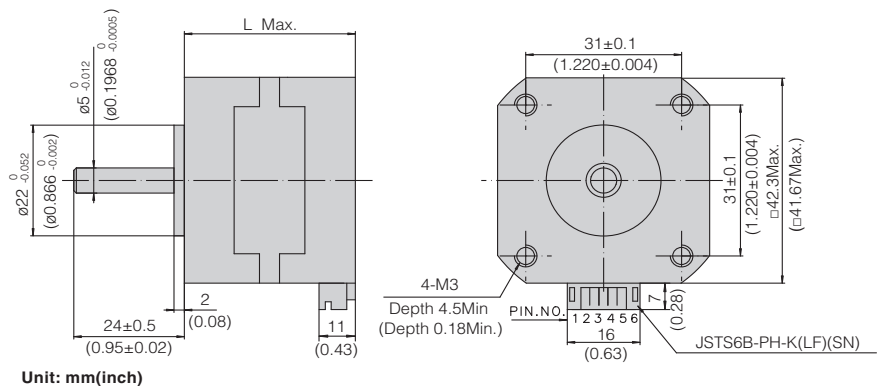
- Bi-polar

Series & Length	Model Number	Holding Torque		Rated Current	Resistance per Phase	Inductance per Phase	Detent Torque		Rotor Inertia	
		mNm	oz-in				mNm	oz-in	g.cm ²	oz-in ²
17HD5 25.3 mm (0.99 in.)	17HD5003-10	220	31.18	0.4	24	36	5	0.71	20	0.11
17HD0 33.3 mm (1.30 in.)	17HD0013	285	40.39	0.4	30	27	12	1.70	38	0.21
17HD1 39.3 mm (1.53 in.)	17HD1004-01	450	63.78	0.5	25	50	15	2.12	57	0.31
17HD3 47.3 mm (1.84 in.)	17HD3005-10	500	70.86	0.4	30	45	25	3.54	82	0.45

- Wiring Connection, Lead Wires, Schematic Diagrams & Stepping Sequence.....Page 62 - 64

Mechanical Dimension

Series	L	Mass
	mm (in.)	kg (lb.)
17HD5	25.3 (0.99)	0.15 (0.33)
17HD0	33.3 (1.30)	0.21 (0.46)
17HD1	39.3 (1.53)	0.28 (0.62)
17HD3	47.3 (1.84)	0.36 (0.79)



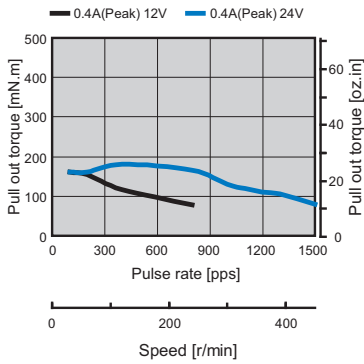


Dynamic Torque Curves

- Bi-polar

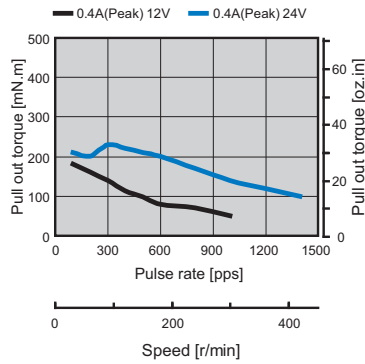
17HD5003-10

Conditions:Bi-polar Constant Current Driver
Driver: AMA MS3540M
Mode:Full Step



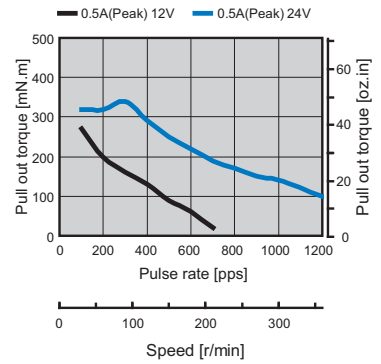
17HD0013

Conditions:Bi-polar Constant Current Driver
Driver: AMA MS3540M
Mode:Full Step



17HD1004-01

Conditions:Bi-polar Constant Current Driver
Driver: AMA MS3540M
Mode:Full Step



17HD3005-10

Conditions:Bi-polar Constant Current Driver
Driver: AMA MS3540M
Mode:Full Step

