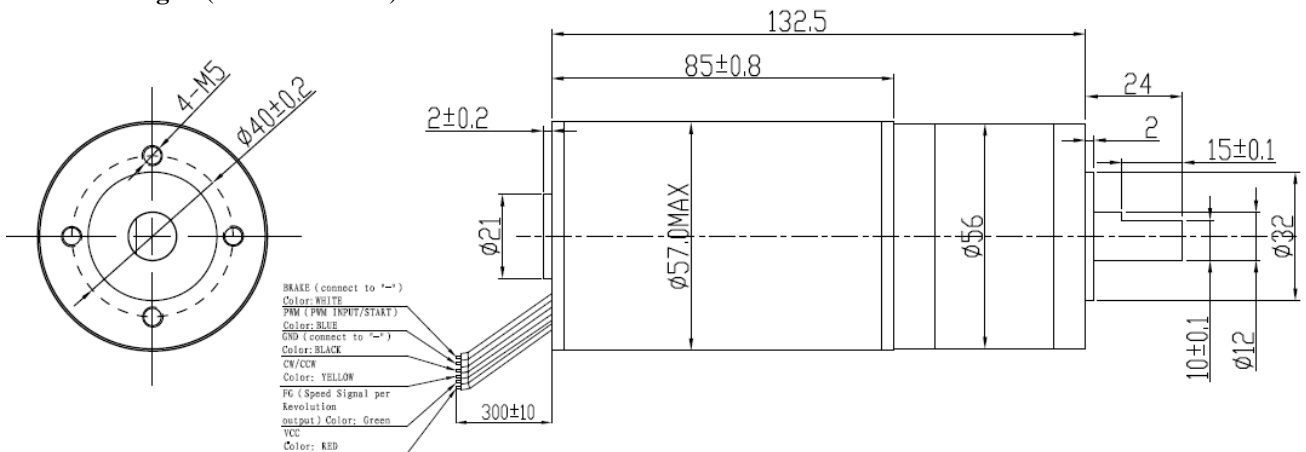
	<b>KLS23-B5685G</b>	Output Power: 40W~300W	Weight: 780g (Approx.)
	<b>Brushless DC Gear Motor-Typical Application</b> Home Application: Electric door, Electric Window, Electric Curtain, Electric Awning Industry Facility: Transmission Equipment, Gear System, Actuator Electronic Equipment: Electric Valve, Switcher, Lighting Adjustor, Small Percussion Drill Business Equipment: Electric Gate, Banking Facility, ATM, Vending Machine Personal Care: Massager		

Model	Voltage(V)		No Load		Rated Load			Starting		
	Operating Range	Rated	Speed (rpm)	Current (A)	Torque (Nm)	Speed (rpm)	Current (A)	Output P. (W)	Torque (Nm)	Current (A)
B5685G-S01 (Gear Ratio 16)	8-26	24	285	0.88	3.2	185	4.8	62.3	7.6	8.00

**Characteristic:** CW & CCW, Signal function available, Locked rotor protection, Stepless speed regulation, Low noise, Low EMI, Long life 10000-30000hrs

**Notice:** Data in this typical specification sheet are for other certain customer. Voltage, rated torque, speed, current, power, gear box ratio & dimension, shaft extension feature & dimension can be changed to meet customer specific requirement.

**Outline Drawing:** (Unit: Millimeter)



**BLDC Motor Performance Curve:**  
B5685G-S01(Bare Motor)

24V

