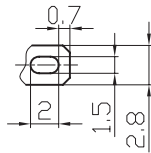
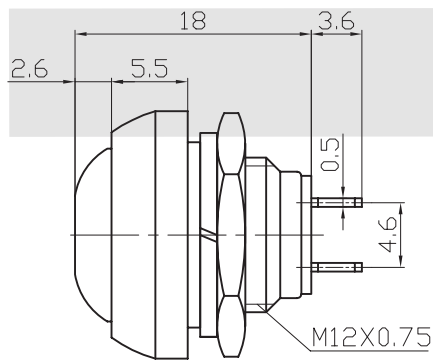
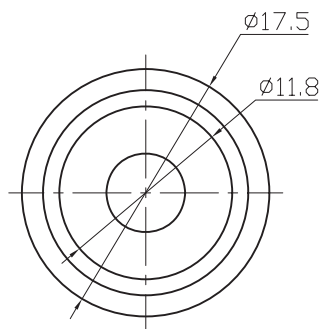


## Push Button Switch Series

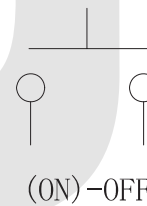
### KLS7-PBS-010 Push Button Switch Series

#### ELECTRICAL

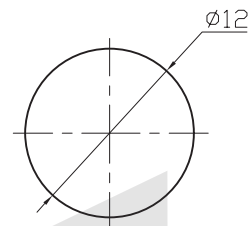
Rating: 3A 125V AC ,1A 250V AC  
 Contact resistance: 20mΩ Max  
 Insulation resistance: 100MΩ/500VDC Min  
 Withstanding Voltage: AC1000V/1Min  
 Operating Temperature: -25°C~+85°C  
 Electrical life: 50000 Cycles



#### Circuitry



#### Mounting



## ORDER INFORMATION

**KLS7-PBS-010 X X**

Part Number —————  
 PBS-010: Push Button Switch Series —————  
 Button color: R=Red G=Green B=Black  
 Function: D=OFF-(ON)