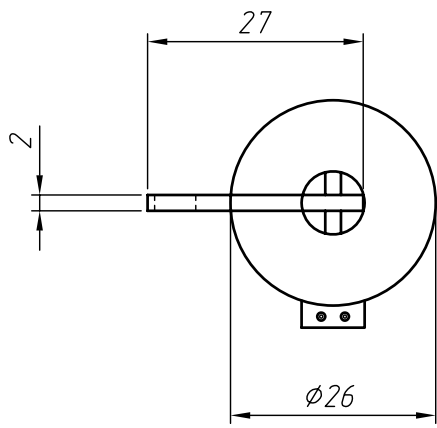
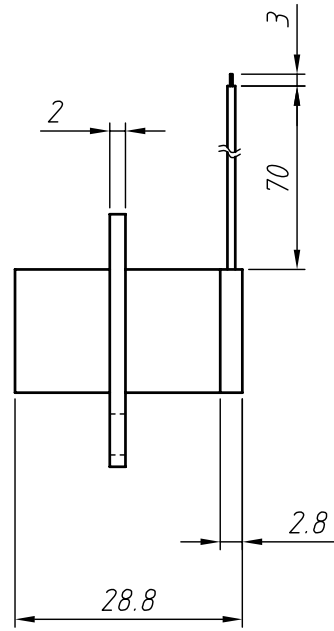
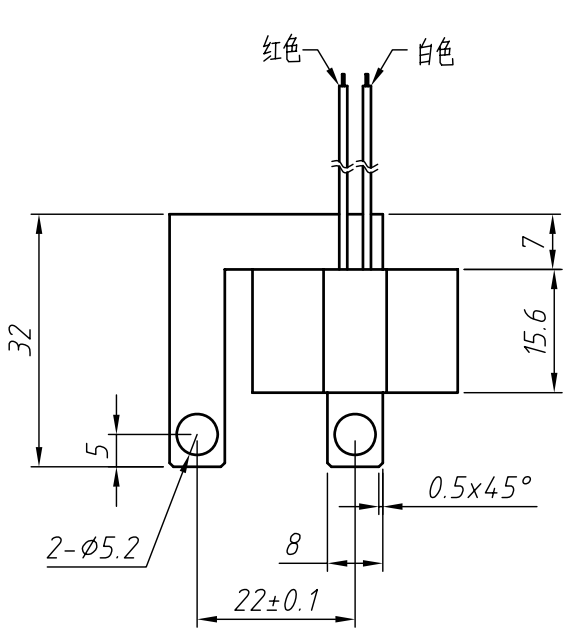


REV.	PART NAME	PART NO	MATERILAS	Remark



Main characteristics:

1. Adopt high magnetic permeability magnetic core, with high precision and good linearity.
2. The range of applicable electric current is wide(1.5A-120A)
3. Primary input and secondary output ensures flexible and diversified forms as well as easy installation.
4. Frequency: 50Hz/60Hz
5. Ambient Temperature: -40°C -- 70°C
6. 50/60Hz 0.1 clsa 5 (60) A/2.5mA Rb20Ω

GENERAL TOLERANCE		ANGLE TOLERANCE		PROJECTION		Description:	
X. ±0.60		X. ±5°		UNITS	mm	KLS11-CT-004	
.X ±0.38		.X ±3°		SHEET SIZE	A4	Item code:	
.XX ±0.25		.XX ±2°		KLS P/N:			
Draw by: Date				KLS ELECTRONIC CO., LTD. 宁波保税区开乐电子有限公司			
Check by: Date							
SCALE		SHEET	OF				