

Stereo Jack Series

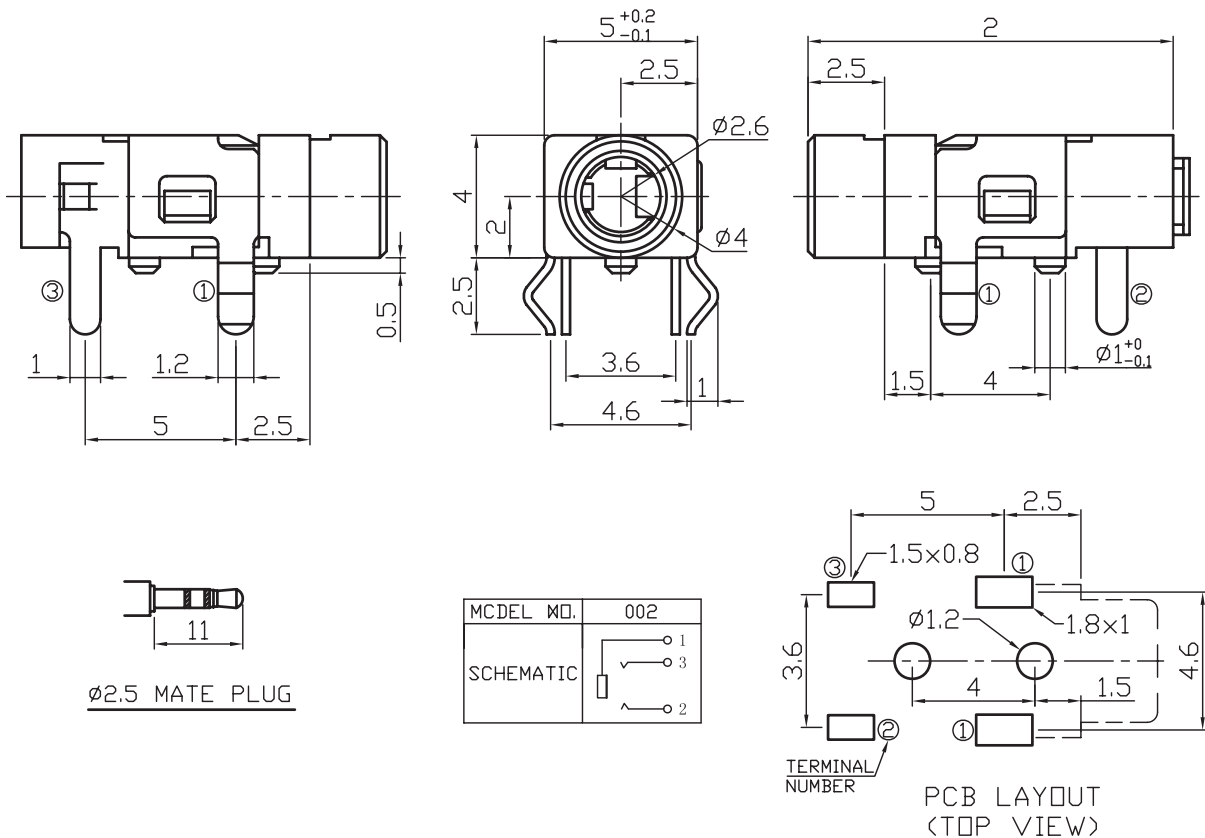
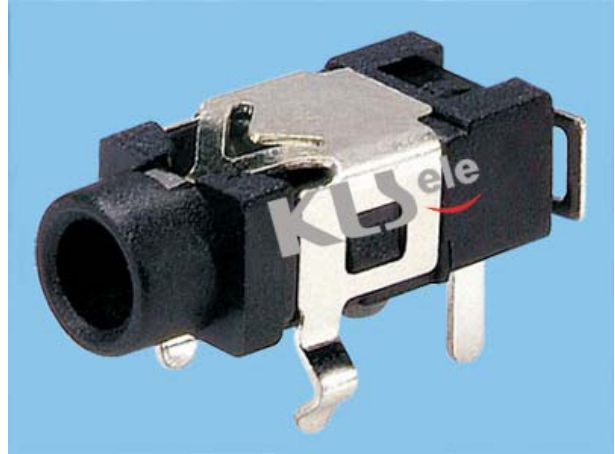
KLS1-TSJ2.5-002 (Dip Stereo Jack)

Technical parameters:

Rated voltage: DC 30 V
 Rated current: 0.5 A
 Contact resistance: 0.03Ω, max
 Insulation resistance: 100MΩ, min
 Pressure: AC500V (50Hz) / 1 minute
 Insertion Force :2-20 N
 Life: 50000 times
 Operating Temperature:-30°C ~ 70°C

Material:

Housing Material:PA66
 Center Pin Material:
 Terminal 1 :Copper Alloy
 Terminal 2 :Copper Alloy
 Terminal 3 :Copper Alloy
 Bushing :Pa66



ORDER INFORMATION

Product NO.: KLS1-TSJ2.5 -002

