

Cermet Potentiometer Series

KLS4-3059 Cermet Potentiometer Series

Electrical Characteristics

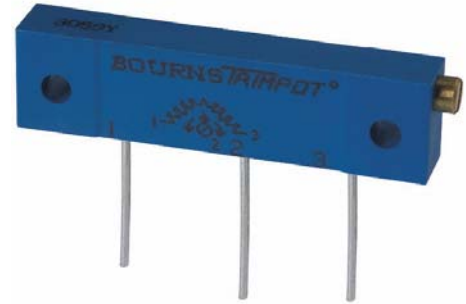
Standard Resistance Range: 10Ω~ 2MΩ
 Resistance Tolerance:±10%
 Terminal Resistance:≤1% R or 5Ω Max.
 Contact resistance variation:CRV ≤4% R or 4Ω Max.
 Insulation Resistance: $R_i \geq 1G\Omega$
 Withstand Voltage:101.3kPa 900V, 8.5kPa 350V
 Wiper Current Max:100mA
 Electrical Travel:22±2 turns nom

Environment Characteristics

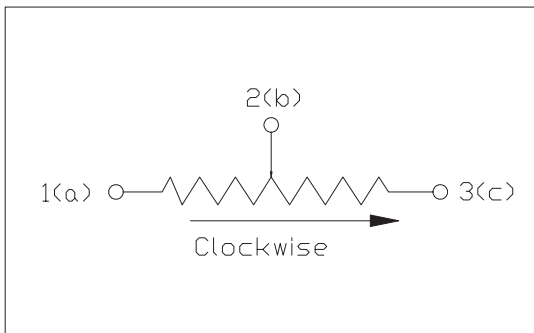
Power Rating (315 volts max.):+70°C 1W,+125°C 0W
 Temperature Range:-55°C ~ +125°C
 Temperature Coefficient:±250ppm/°C;±100ppm/°C
 Temperature Variation: $\Delta R \leq \pm 3\% R$, $\Delta(U_{ab} / U_{ac}) \leq \pm 2\%$
 Vibration:390m/s²,4000 times $\Delta R \leq \pm 2\% R$
 Collision:10 ~ 500Hz,0.75mm,or 98m/s²,6h, $\Delta R \leq 2\% R$, $\Delta(U_{ab} / U_{ac}) \leq 3\%$
 Climate Category: $\Delta R \leq 5\% R$, $R_1 \geq 100M\Omega$
 Electrical Endurance at 70°C: 1W,1000h, $\Delta R \leq \pm 5\% R$
 Mechanical Endurance:200cycles, $\Delta R \leq \pm 5\% R$
 Steady Damp-Heat: $\Delta R \leq \pm 5\% R$, $R_1 \geq 100M\Omega$

Physical Characteristics

Total mechanical travel:35±2 turns nom
 Starting torque:≤35mN.m
 Standard packaging:25pcs/tube



IV



Resistance (Ω)	Code
10	100
20	200
50	500
100	101
200	201
500	501
1000	102
2000	202
10000	103
20000	203
50000	503
100000	104
200000	204
500000	504
1000000	105
2000000	205

ORDER INFORMATION

Product NO.: KLS4-3059 P-103

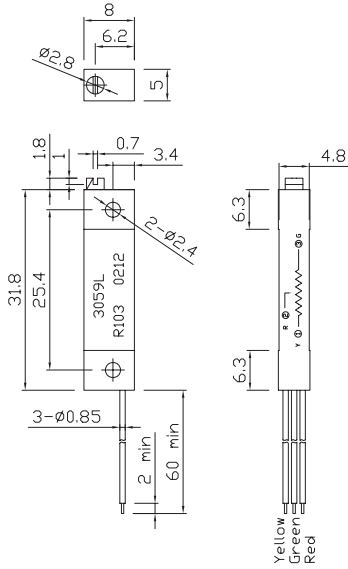
Pos. NO. _____ 103:Resistance Code
 3059:Model _____ P:Style

Cermet Potentiometer Series

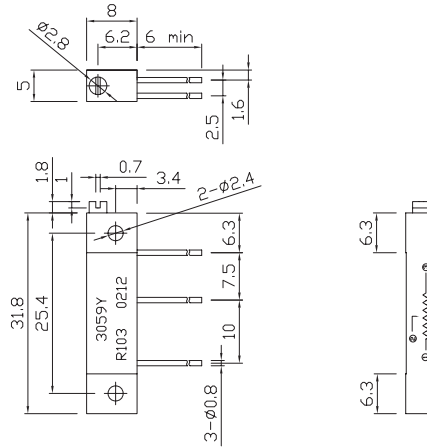
KLS4-3059 Cermet Potentiometer Series



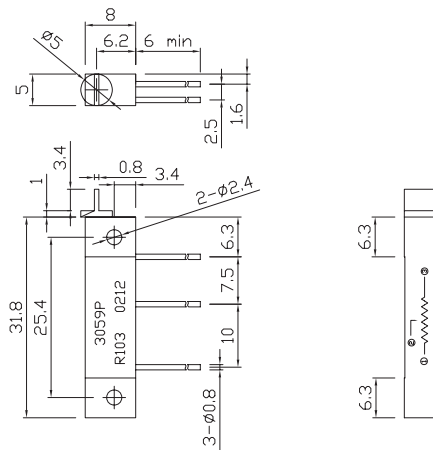
3059L



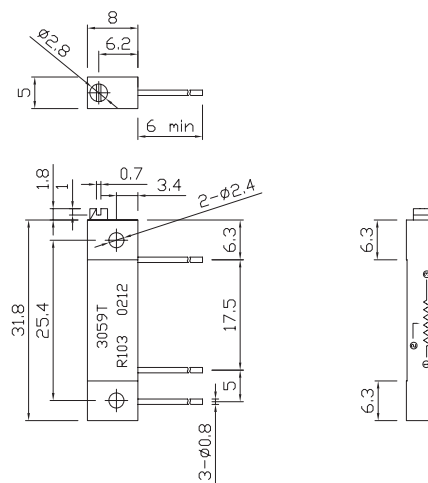
3059Y



3059P



3059T



ORDER INFORMATION

Product NO.: KLS4-3059 P-103

Pos. NO. _____ 103:Resistance Code
004=004 pos.
3059:Model _____ P:Style