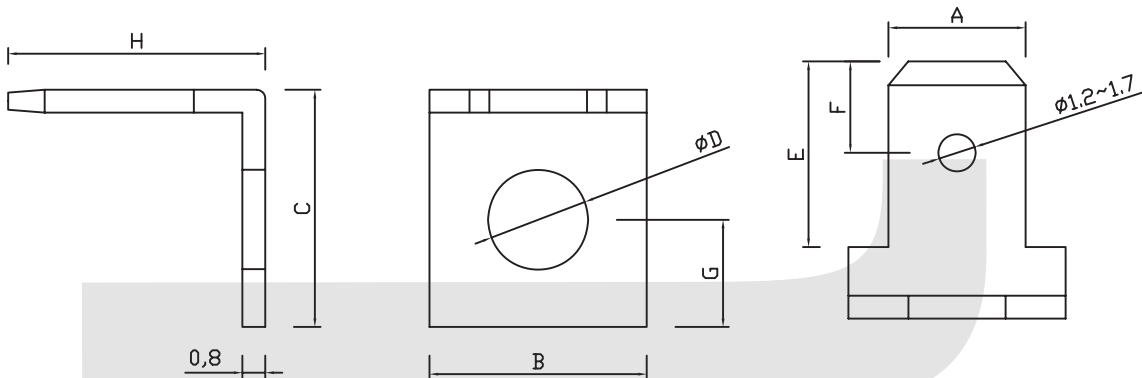


**Terminals Series**

**KLS8-01149 Terminal Series**

Terminal Material: Brass



Model No.	A	B	C	H	E	F	G	$\phi D$	Packaging
PC-187A	4.8	7.6	7.8	9.1	6.4	3.2	3.4	3.5	1000
								4.3	
PC-250A	6.35	8	8	11.5	8	4.3	4	4.3	
								5.3	
								3.5	
PC-110A	2.8	4.6	4.6	9.3	7	1.5	3.6	2.5	

**ORDER INFORMATION**

KLS8-01149 -PC-187A-3.5

