

Led Spacer Support Series

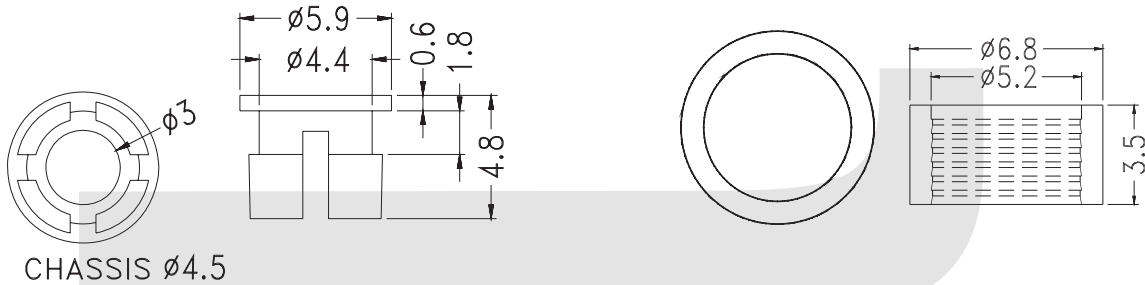
KLS8-0117 Led Holder Series

Material: UL approved Nylon 66, 94V-2
Unit:mm

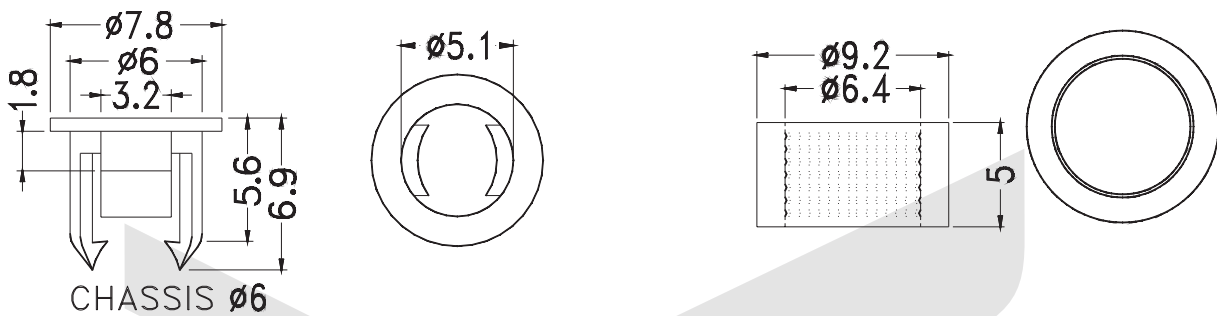


VIII

KLS8-0117-3



KLS8-0117-5



ORDER INFORMATION

