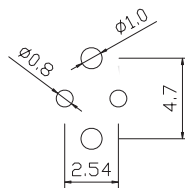
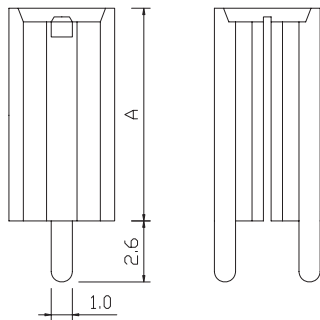
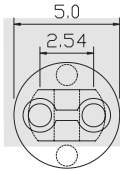


Led Spacer Support Series

KLS8-0125 Led Spacer Support Series

Material: UL approved Nylon 66, 94V-2
Unit:mm



VIII

Model No.	A	Packaging
LED-3	3	2000pcs
LED-4	4	
LED-5	5	
LED-6	6	
LED-7	7	
LED-8	8	
LED-9	9	
LED-10	10	
LED-11	11	
LED-12	12	
LED-13	13	
LED-14	14	
LED-15	15	
LED-16	16	

Model No.	A	Packaging
LED-17	17	2000
LED-18	18	
LED-19	19	
LED-20	20	
LED-21	21	
LED-22	22	
LED-23	23	
LED-24	24	
LED-25	25	
LED-26	26	
LED-27	27	
LED-28	28	1000pcs
LED-29	29	
LED-30	30	

ORDER INFORMATION

KLS8-0125-LED-3. 0

Hight
OD : 0125=5. 0mm
Part Number