

## Ceramic Resonator Series

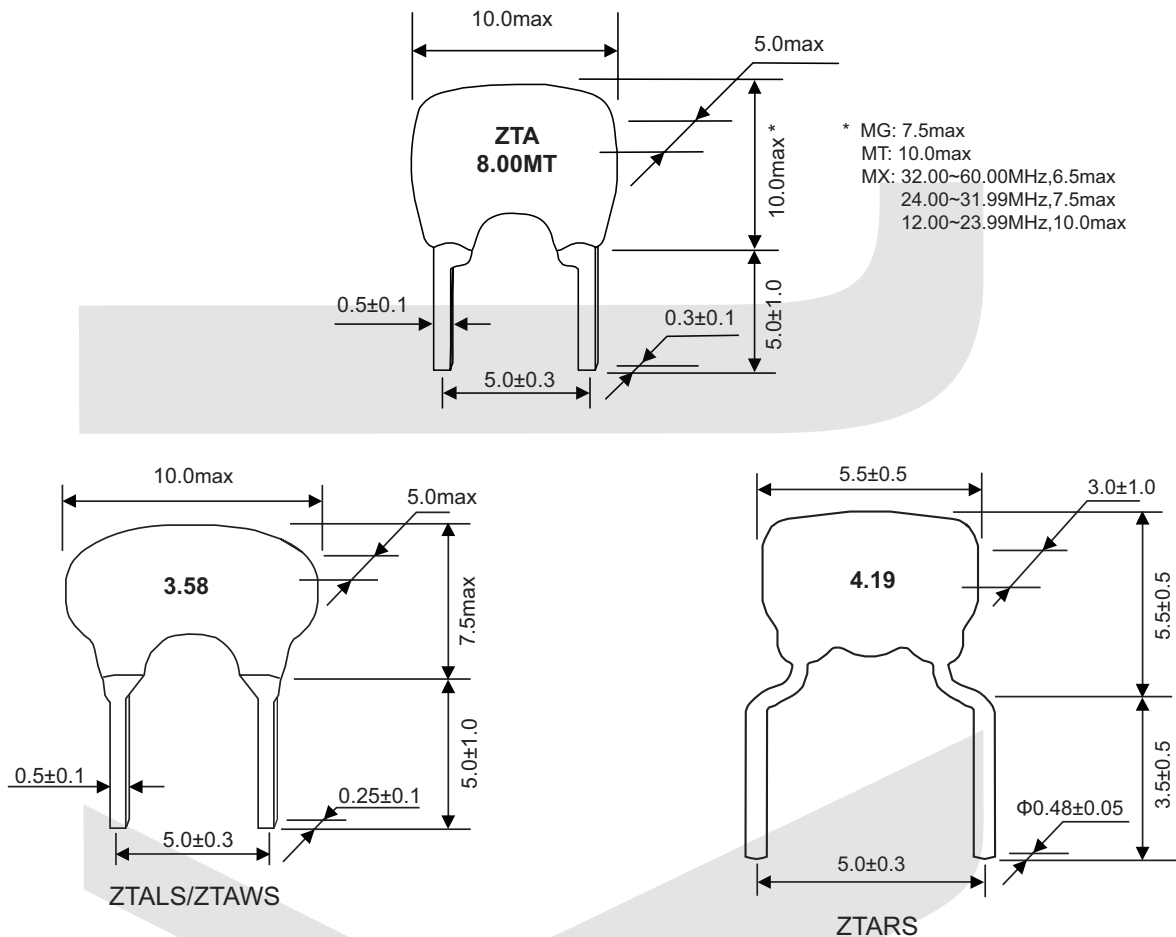
### KLS14-ZTA Ceramic Resonator Series

Resonators ZTA (MHz) series cover the frequency range of 1.79 Mhz to 60.00 MHz with an initial frequency tolerance  $f_0 \pm 0.5\%$ .

Since the ZTA series utilizes the thickness mode of vibration of the piezoelectric element, there is little dimensional change with frequency. All ZTA are epoxy coated and completely washable. Tape and reel package are both available.



### Ceramic ZTA (MHz) Resonator Dimensions



## ORDER INFORMATION

KLS14- ZTA x. xx MT

Pos. No. \_\_\_\_\_  
Part Number \_\_\_\_\_

## Ceramic Resonator Series

KLS14-ZTA Ceramic Resonator Series

**ZTA (MHz) Compatible to Murata CSA**

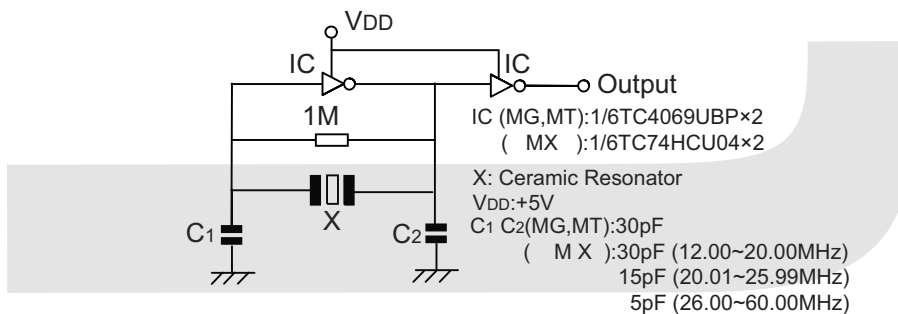
**1.79 - 60.00 MHz**

XIV

Ceramic ZTA (MHz) Resonators Technical Characteristics

Part Number	Frequency Range(MHz)	Frequency Accuracy(at 25°C) (%)	Stability in Temperature (-20°C ~ +80°C) (%)	Operating Temperature(°C)	Aging For Ten Years (%)
ZTA***MG	1.79 ~ 6.00	± 0.5	± 0.3	-20 ~ +80	± 0.3
ZTAWs***MG	1.79 ~ 6.00	± 0.5	± 0.3	-20 ~ +80	± 0.3
ZTALS***MG	3.00 ~ 8.00	± 0.5	± 0.3	-20 ~ +80	± 0.3
ZTARS***MG	3.00 ~ 10.00	± 0.5	± 0.3	-20 ~ +80	± 0.3
ZTA***MT	6.00 ~ 13.00	± 0.5	± 0.3	-20 ~ +80	± 0.3
ZTA***MX	12.00 ~ 60.00	± 0.5	± 0.3	-20 ~ +80	± 0.3

### Ceramic ZTA (MHz) Resonator Test Circuit for MOS IC



## ORDER INFORMATION

KLS14- ZTA x. xx MT

Pos. No. \_\_\_\_\_  
Part Number \_\_\_\_\_